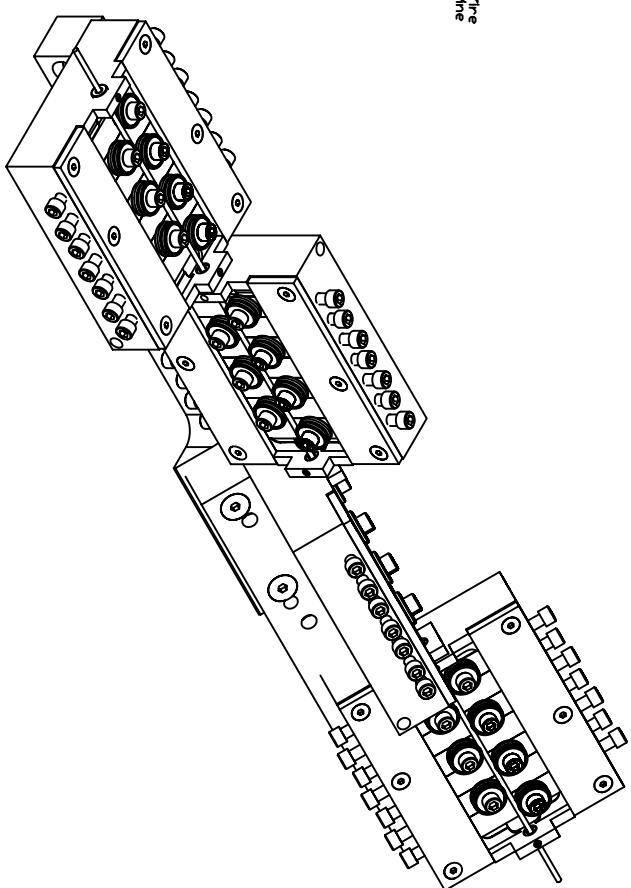
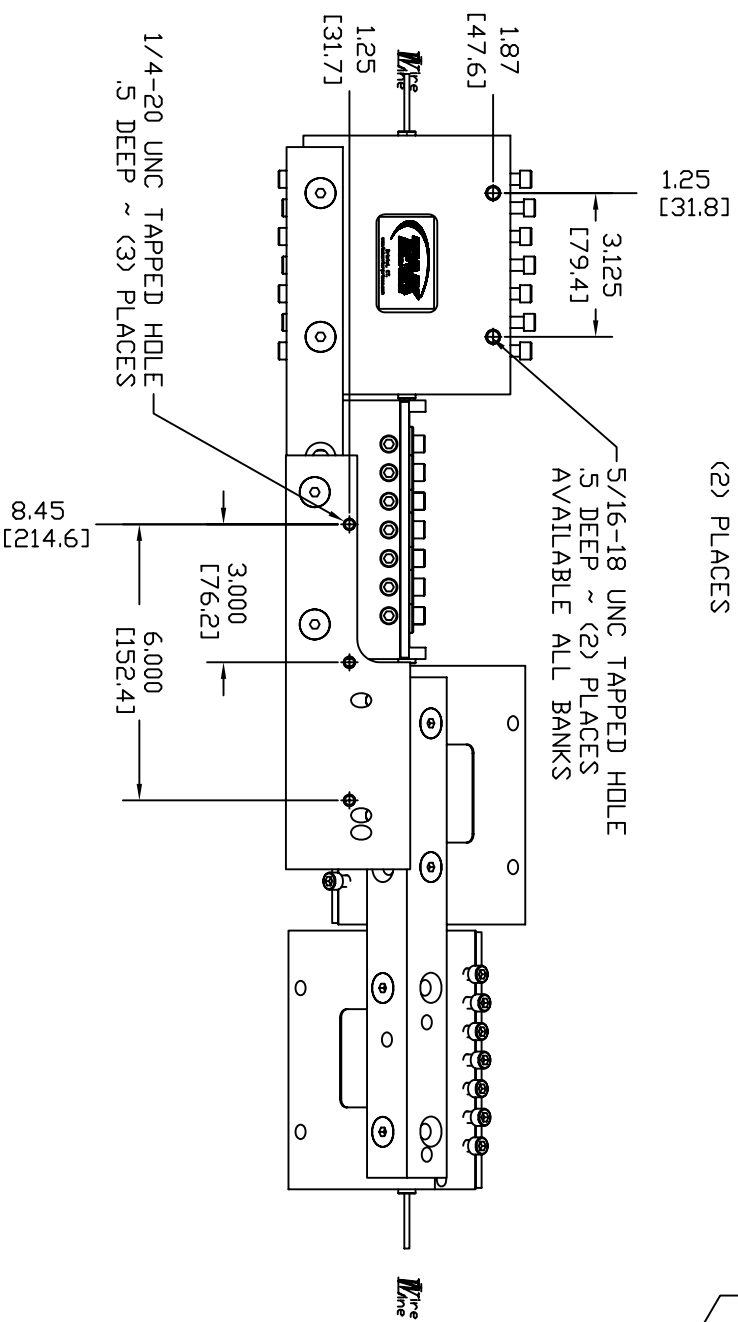
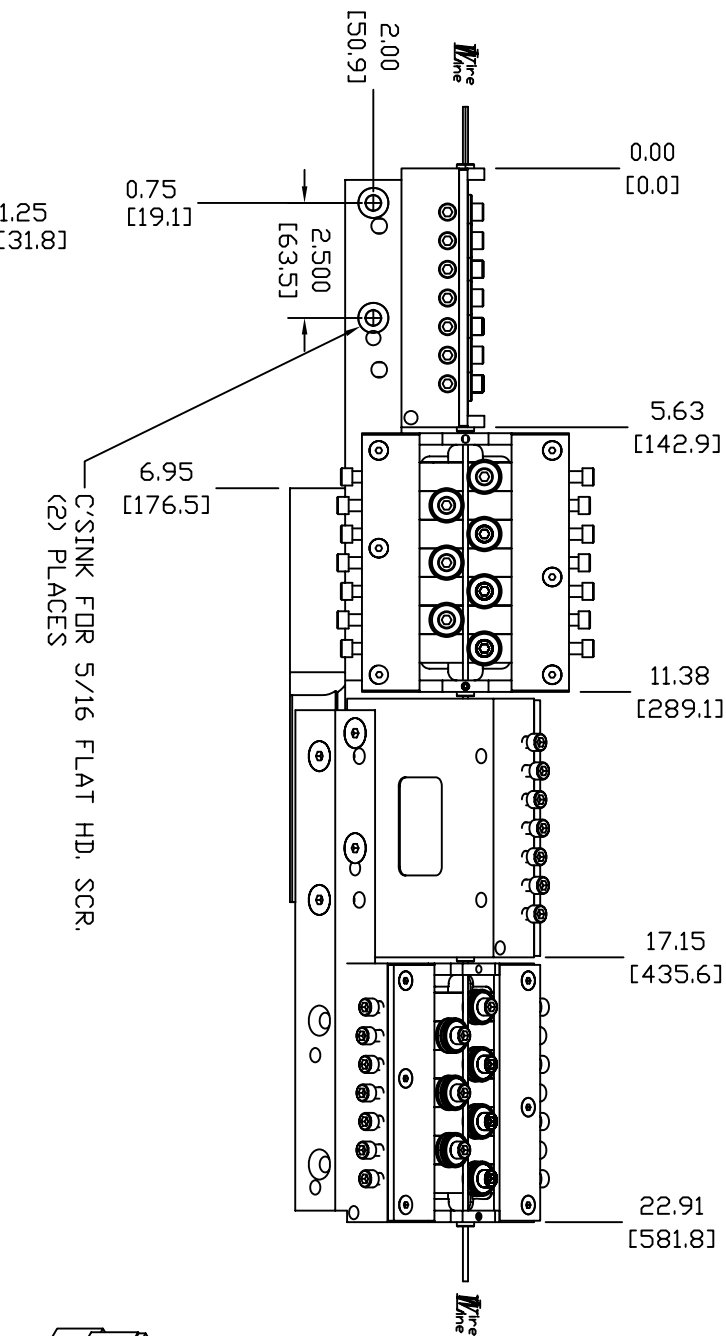
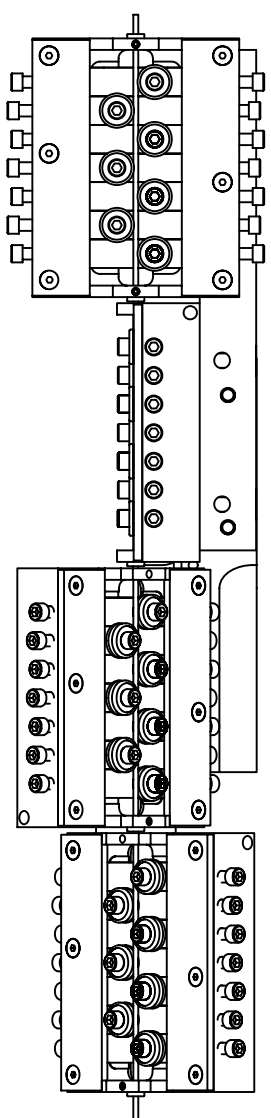
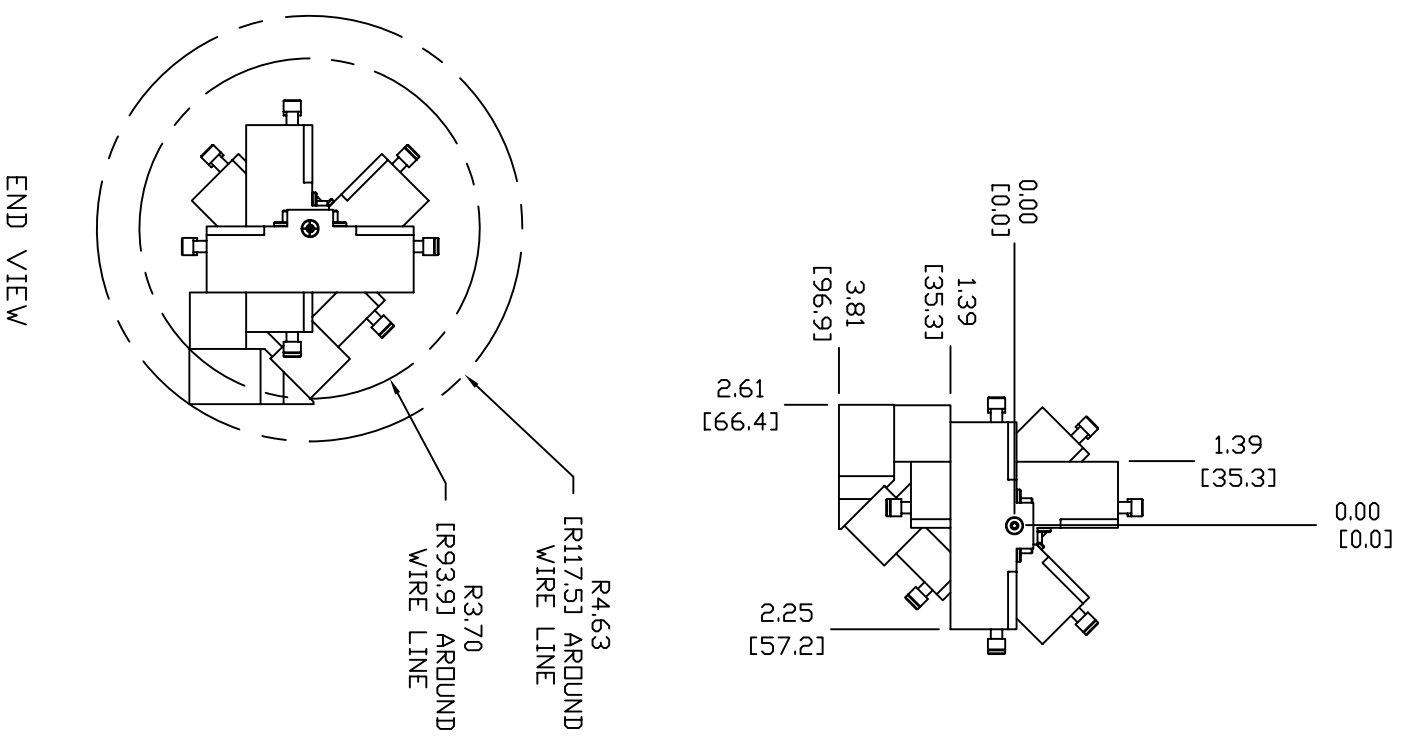


NOTE:
DIM'S IN [] ARE IN MM



#03 4-PLANE MOUNTING ASSY.



TOLERANCE UNLESS OTHERWISE SPECIFIED		CAD	DRAWING / PART NO.
± .3"	FRACT +/- 1/16	DVN	1003-004A
± 0.0003	X	CHK	PART NAME
± 0.0002	XX	SCALE	4-PLANE ASSY.
± 0.0005	XXX	DATE	CUSTOMER
± 0.0005	XXXX	DATE	

REV	ECN	CHG BY	DATE