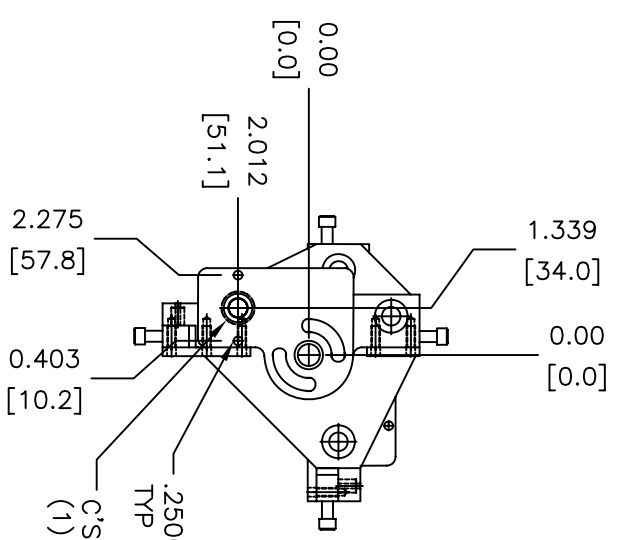
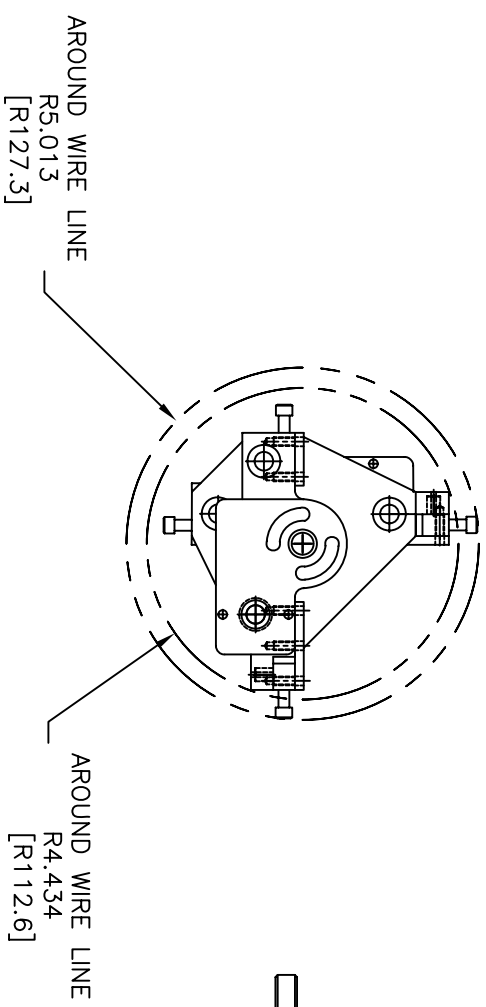
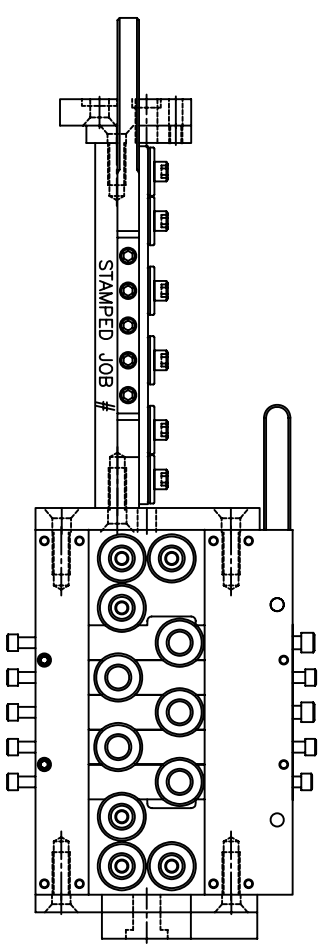
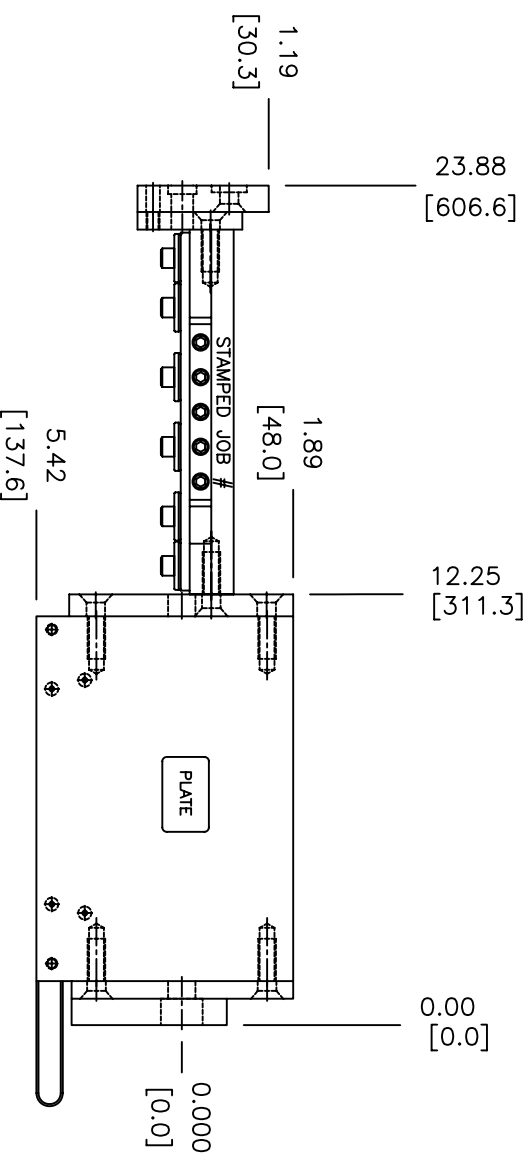
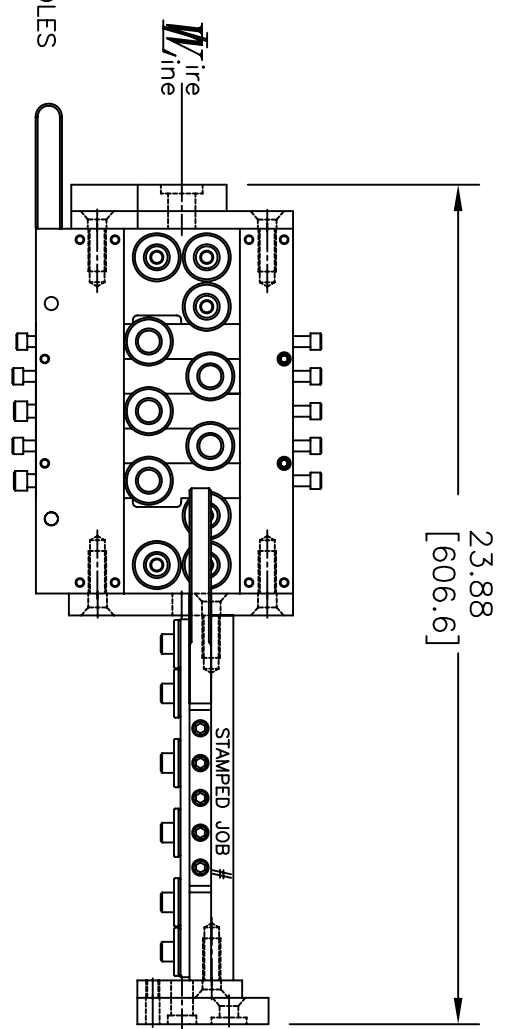


NOTE:  
ALL DIMS IN [ ] ARE IN MM



THIS PIVOT MOUNTING LAYOUT IS  
TYPICAL BOTH ENDS



#04 2-PLANE ASSY  
MOUNTING LOCATION

DIMENSIONS ARE RELATIVE  
TO WIRE LINE



TOLERANCE UNLESS OTHERWISE STATED		CAD	DRAWING / PART NO.
∅ ± 0.0003	FRACT ± 1/16	DWN TKS	1004-002A
∅ ± 0.0002	X ± 0.032	CHK	PART NAME
∅ ± 0.0005	XX ± 0.015	SCALE	#04 MOUNTING LOCATION
∅ ± 0.0005	XXX ± 0.005	DATE	CUSTOMER
∅ ± 0.0005	XXXX ± 0.005	DATE	111797

REV	ECN	CHG BY	DATE