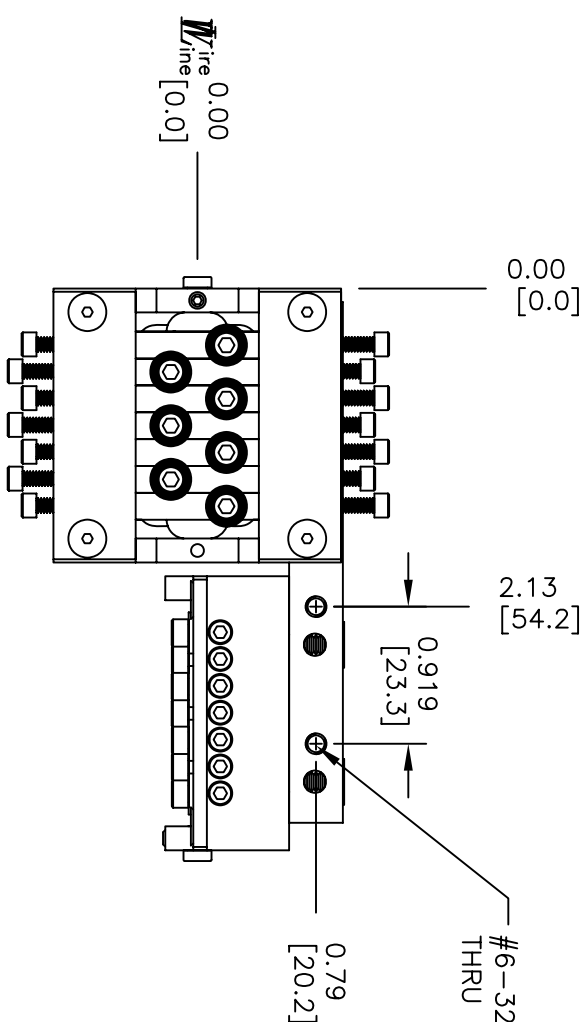
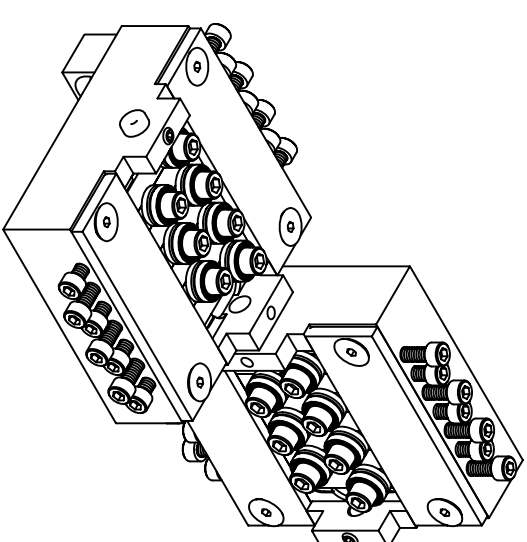


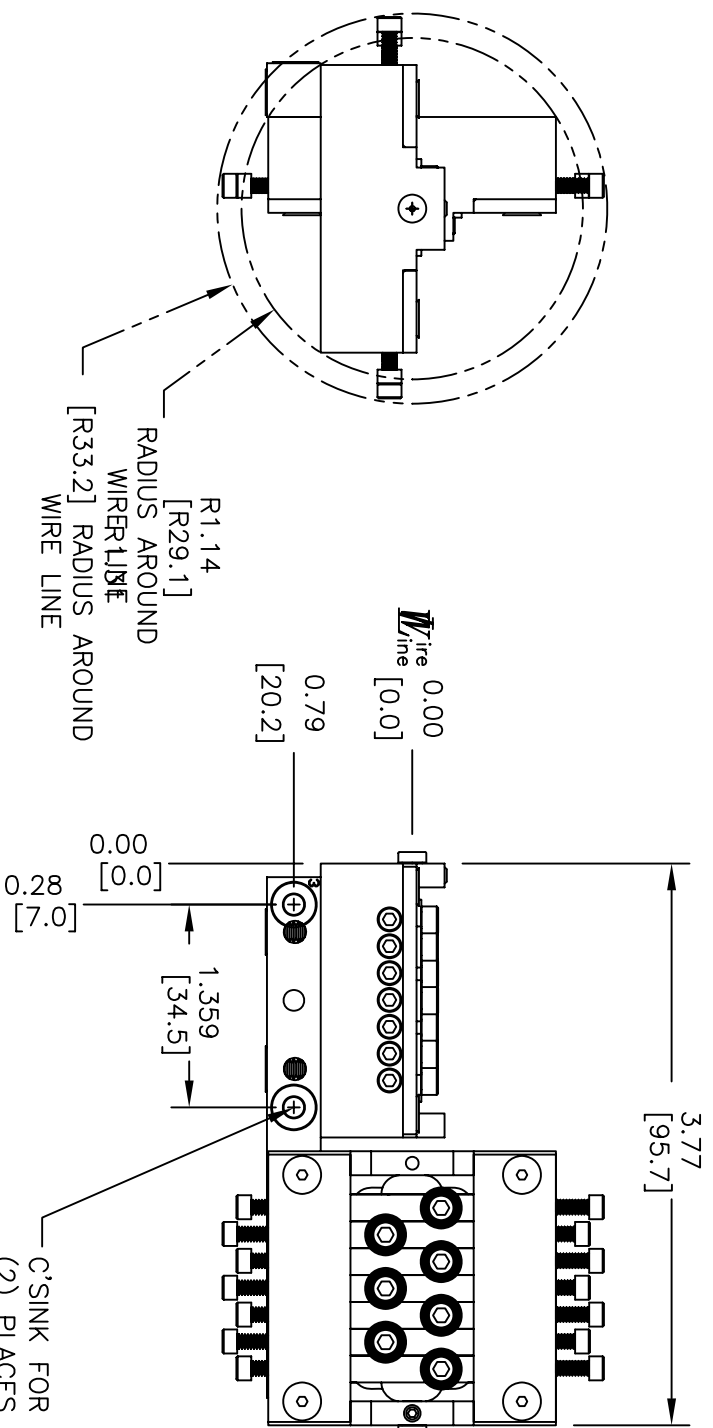
NOTE:
DIM'S IN [] ARE IN MM



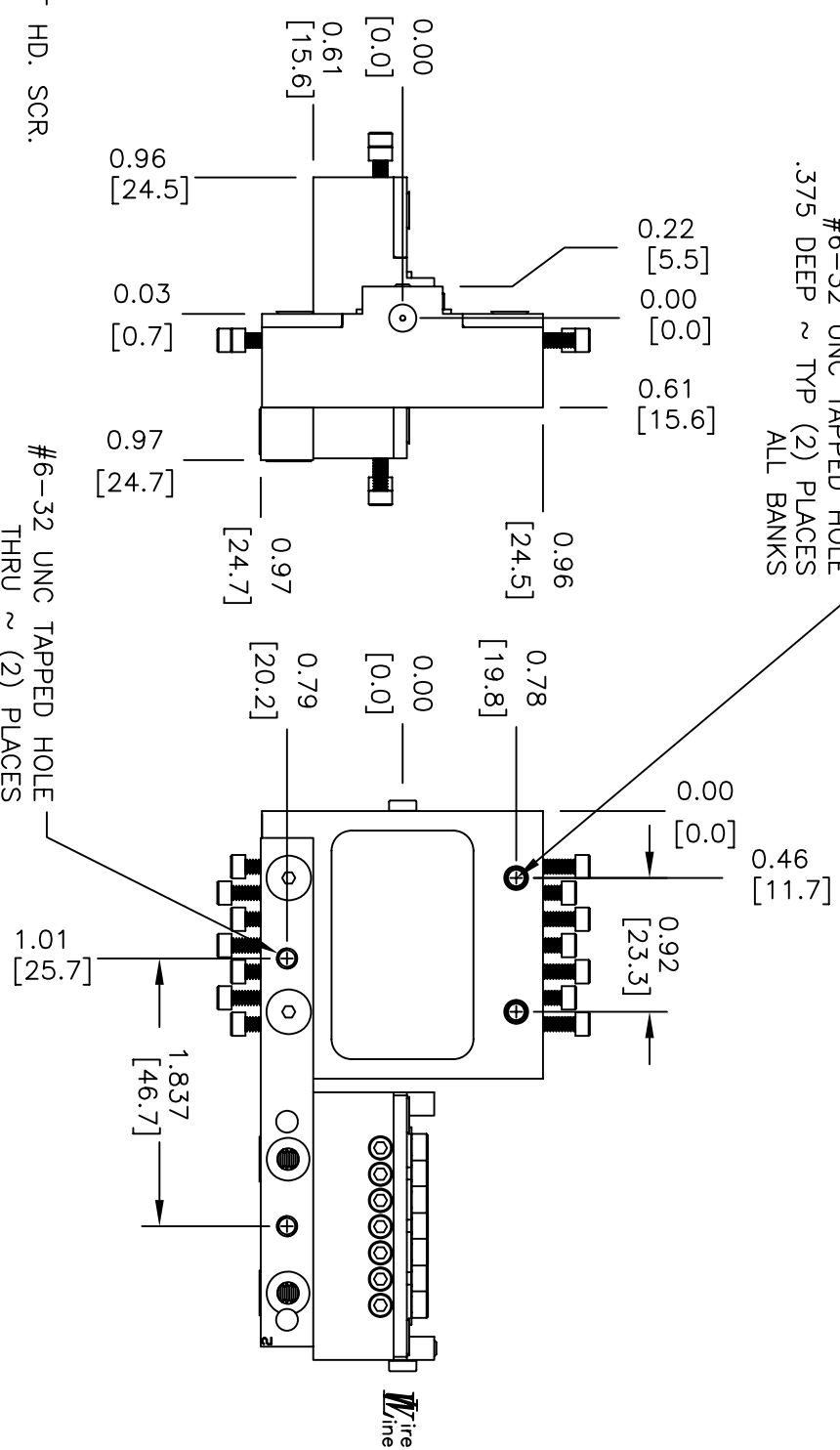
#6-32 UNC TAPPED HOLE
THRU ~ (2) PLACES



#6-32 UNC TAPPED HOLE
.375 DEEP ~ TYP (2) PLACES
ALL BANKS



C'SINK FOR #6 FLAT HD. SCR.
(2) PLACES



#6-32 UNC TAPPED HOLE
THRU ~ (2) PLACES

#0 2-PLANE MOUNTING LOCATIONS



TOLERANCE UNLESS OTHERWISE STATED		CAD		DRAWING / PART NO.	
∅	± .0003	FRACT	+/- 1/16	DWN	GDH
∅	± 0.0002	XX	± .032	CHK	CHK
∅	± 0.0005	XXX	± .015	SCALE	SCALE
∅	± 0.0005	XXXX	± .005	DATE	093005

REV	ECN	CHG BY	DATE

PART NAME
1000-012A

SERIES #0 2-PLANE
MOUNTING

CUSTOMER