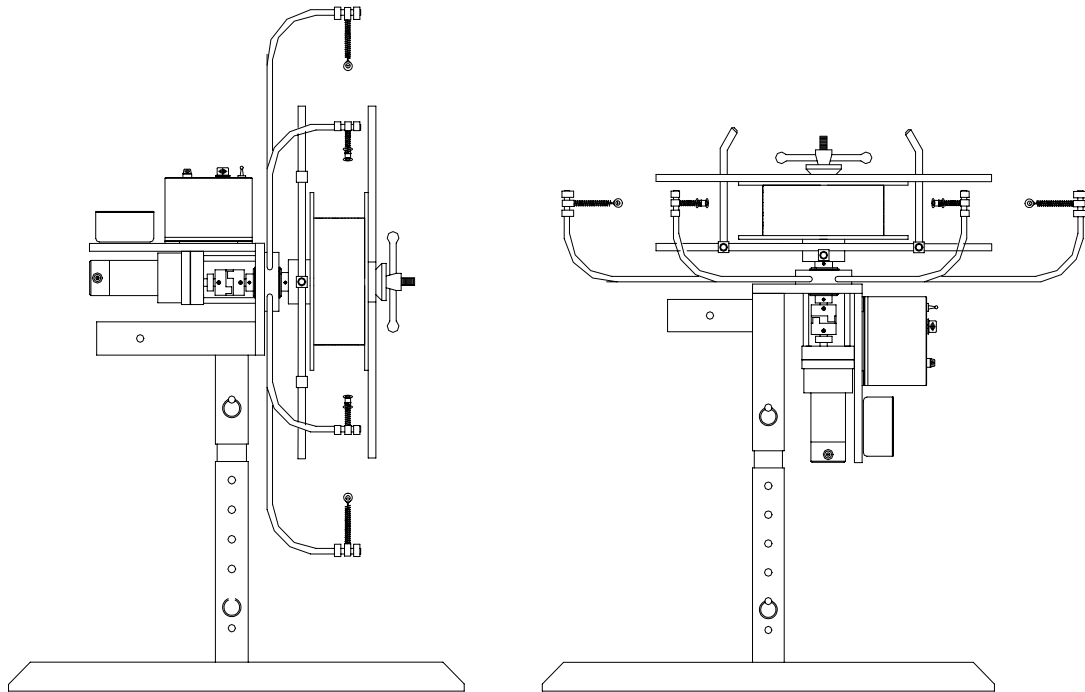


TAK Enterprises, Inc.



Visit us on the web

#8001 SERIES MATERIAL PAYOFF Roller guide Kit Installation Instructions



70 Enterprise Drive •
(860) 583-0517 •

Bristol, CT 06010-7400
(860) 585-0479

E-mail: tak@takenterprises.com • www.takenterprises.com

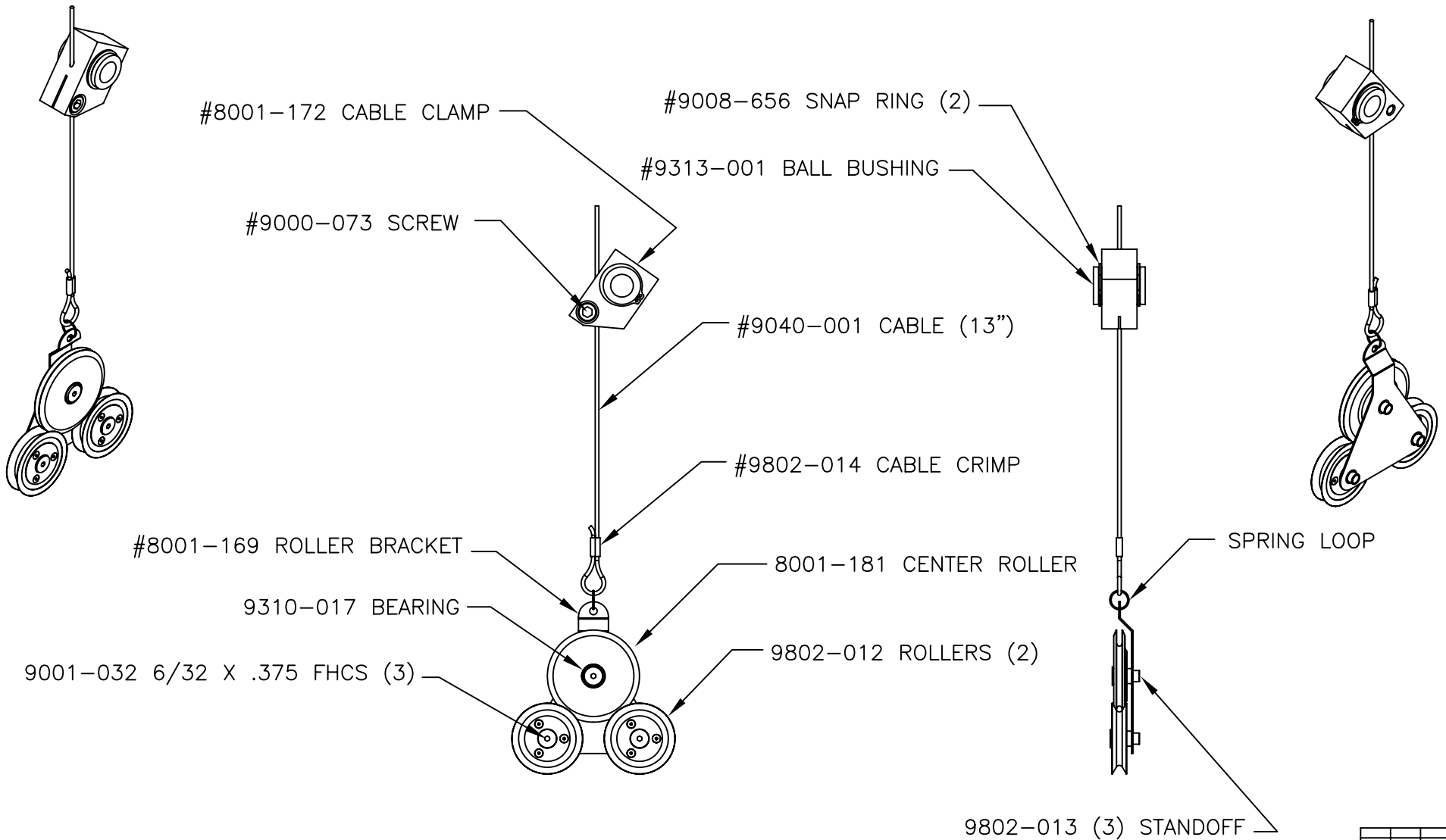


Instructions to convert from tube guides or other systems to the TAK Roller Guide Assemblies.

- 1. REMOVE THE OUTSIDE COLLAR #9011-012 FROM ALL ARMS AND RETAIN.**
- 2. REMOVE THE EXISTING GUIDE ASSEMBLIES AND SAVE OR DISCARD.**
- 3. REMOVE THE INNER COLLAR #9011-012 FROM ALL ARMS AND RETAIN.**
- 4. REMOVE THE CURRENT SWITCH ARM GUIDE ASSEMBLY AND SAVE OR DISCARD.**
- 5. REMOVE THE SPOOL HUB #8001-161 FROM THE CENTER SHAFT #8001-154 AND RETAIN.**
- 6. REMOVE THE SWITCH ASSEMBLY FROM THE SWITCH ARM BY REMOVING THE SCREWS RETAINING THE SWITCH PLATE TO THE ARM AND RETAIN.**
- 7. REMOVE ALL THE ARMS FROM THE RETAINER HUB #8001-119 AND SAVE OR DISCARD.**
- 8. REPLACE THE NEW ARMS USING THE DRAWING #8001-016 AS A GUIDE.**
- 9. REPLACE THE INNER COLLARS TO ALL ARMS EXCEPT THE SWITCH ARM USING THE DRAWING #8001-016 AS A GUIDE.**
- 10. REPLACE THE SWITCH ASSEMBLY ON THE NEW SWITCH ARM.**
- 11. REPLACE THE NEW ROLLER GUIDES AS SHOWN IN THE DRAWING #8001-016.**
- 12. REPLACE THE OUTER COLLARS TO ALL ARMS EXCEPT THE SWITCH ARM USING THE DRAWING #8001-016 AS A GUIDE.**
- 13. REPLACE THE SWITCH ARM ASSEMBLY.**
- 14. REPLACE THE SPOOL HUB #8001-161.**

You are now ready to restring your wire and proceed with using your new system.

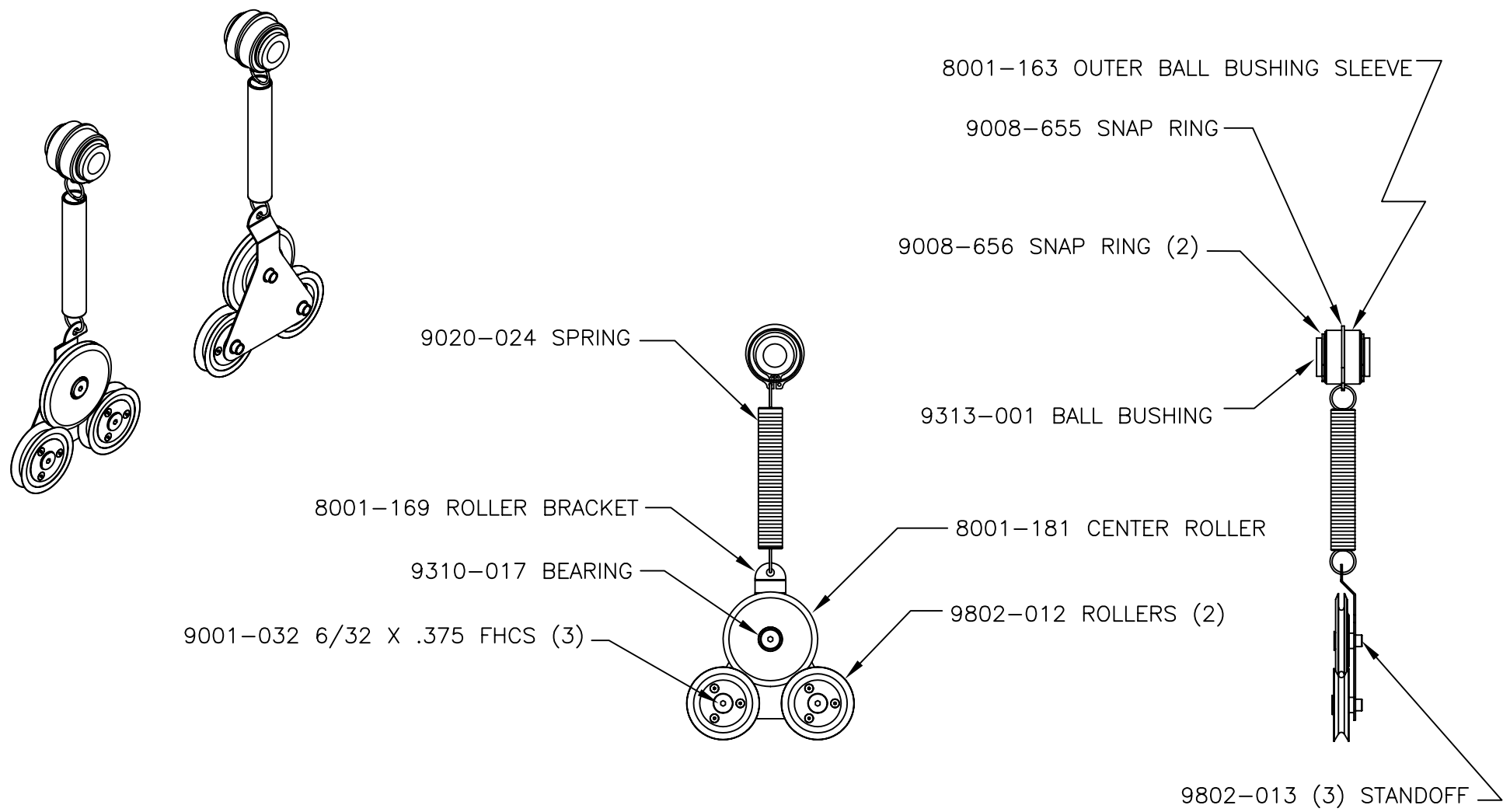
Thank you for choosing TAK for your material payoff needs.



| REV | ECN | CHG BY | DATE |
|-----|-----|--------|------|
| | | | |



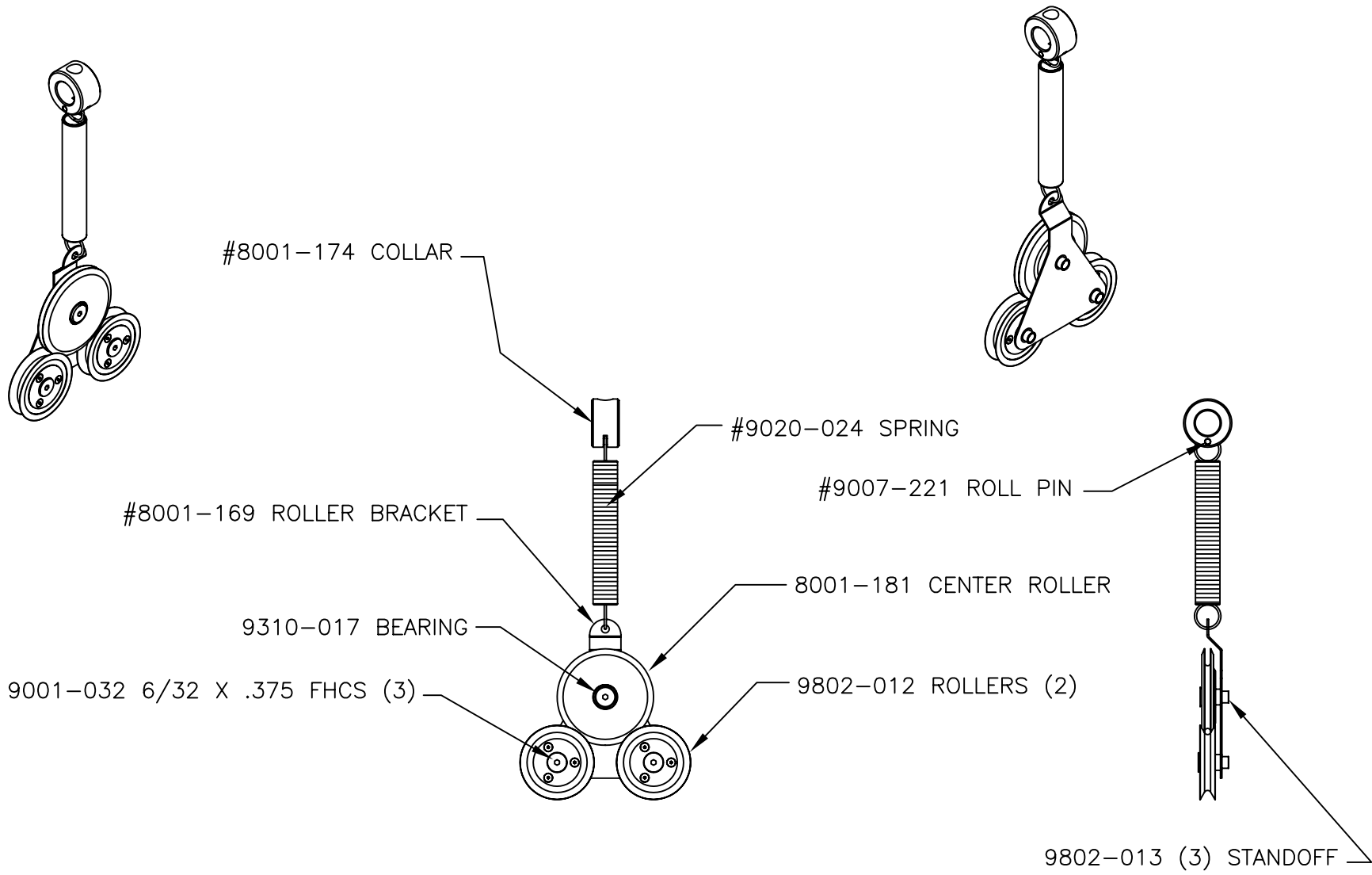
| | | | |
|-----------------------------------|----------------|---------|--------------------|
| TOLERANCE UNLESS OTHERWISE STATED | | CAD | DRAWING / PART NO. |
| ± .3 | FRACT +/- 1/16 | DWN GDH | 8001-028 |
| ± 0.0003 | .X ± .032 | CHK | PART NAME |
| ± 0.0002 | .XX ± .015 | SCALE | CABLE ROLLER GUIDE |
| ± 0.0005 | .XXX ± .005 | DATE | ASSEMBLY |
| ± 0.0005 | .XXXX ± .0005 | | CUSTOMER |
| | | | |



| REV | ECN | CHG BY | DATE |
|-----|-----|--------|------|
| | | | |



| | | | |
|-----------------------------------|----------------|---------|--------------------|
| TOLERANCE UNLESS OTHERWISE STATED | | CAD | DRAWING / PART NO. |
| ± .3 | FRACT +/- 1/16 | DWN GDH | 8001-027 |
| ± 0.0003 | .X ± .032 | CHK | PART NAME |
| ± 0.0002 | .XX ± .015 | SCALE | TRAVELING ROLLER |
| ± 0.0005 | .XXX ± .005 | DATE | GUIDE ASSEMBLY |
| ± 0.0005 | .XXXX ± .0005 | | CUSTOMER |
| | | | |

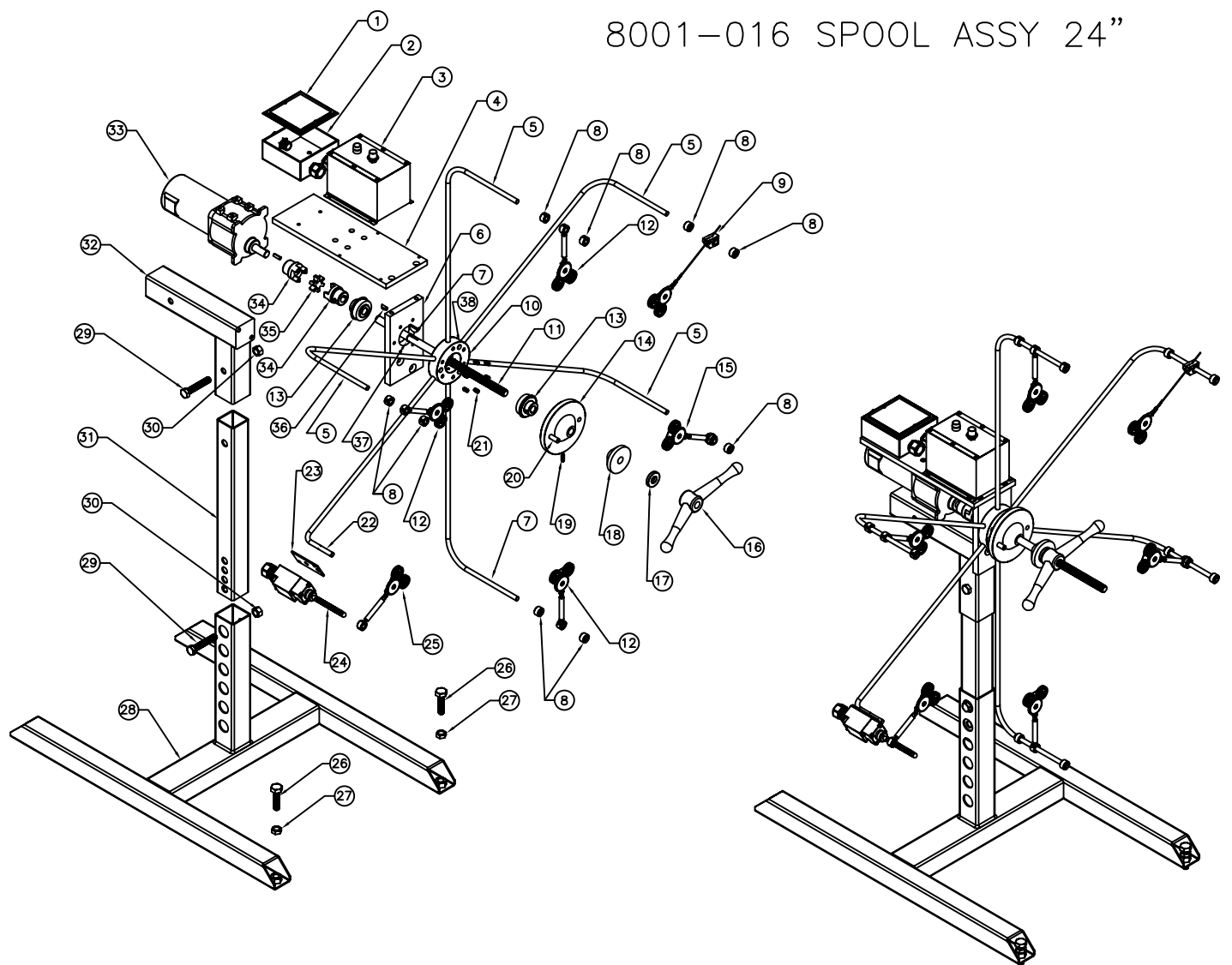


| REV | ECN | CHG BY | DATE |
|-----|-----|--------|------|
| | | | |



| | | | |
|-----------------------------------|----------------|---------|--------------------|
| TOLERANCE UNLESS OTHERWISE STATED | | CAD | DRAWING / PART NO. |
| ± .3 | FRACT +/- 1/16 | DWN GDH | 8001-026 |
| ± 0.0003 | .X ± .032 | CHK | PART NAME |
| ± 0.0002 | .XX ± .015 | SCALE | SWITCH ROLLER |
| ± 0.0005 | .XXX ± .005 | DATE | GUIDE ASSEMBLY |
| ± 0.0008 | .XXXX ± .0005 | 032002 | CUSTOMER |

8001-016 SPOOL ASSY 24"



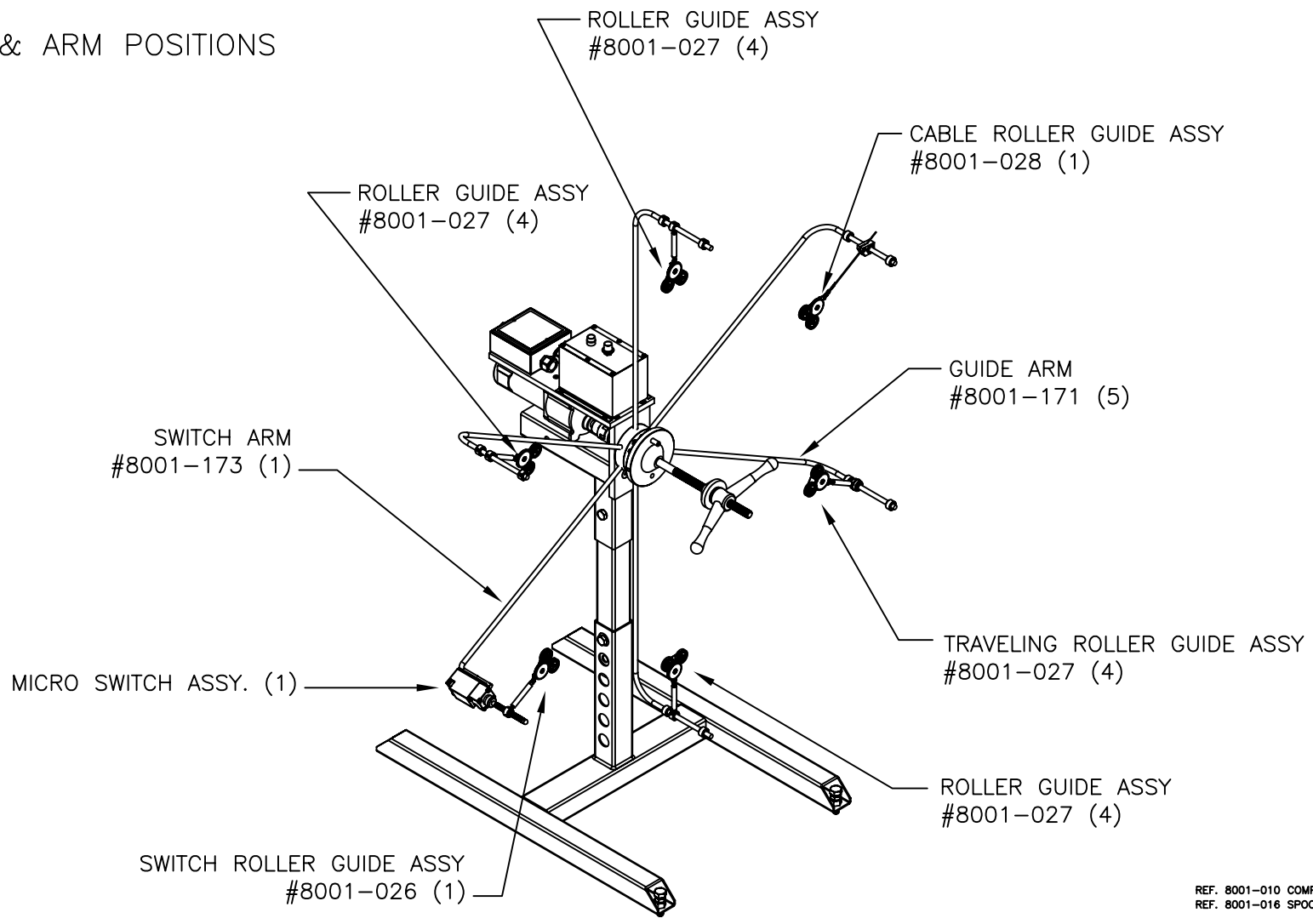
| ITEM# | PART NUMBER | DESCRIPTION | QTY |
|-------|-------------|-----------------------------|-----|
| 38 | 9000-093 | 1/4-20 X 1-1/4 SHCS | 3 |
| 37 | 9008-653 | 5/8" SHAFT SNAP RING | 1 |
| 36 | 9007-315 | KEY 3/16 TK X Ø3/4 | 1 |
| 35 | 9201-007 | 5/8" SPIDER SPACER | 1 |
| 34 | 9201-006 | 5/8" FLEX COUPLING | 2 |
| 33 | 9100-034 | GEAR MOTOR | 1 |
| 32 | 8001-117 | T ADAPTER | 1 |
| 31 | 8001-115 | RISER TUBE | 1 |
| 30 | 9006-103 | 1/2-13 HH NUT | 2 |
| 29 | 9004-012 | 1/2-13 X 2.75 BOLT | 2 |
| 28 | 8001-127 | BASE FRAME | 1 |
| 27 | 9006-002 | 1/2-13 JAM NUT | 2 |
| 26 | 9004-011 | 1/2-13 X 1.5 HH BOLT | 2 |
| 25 | 8001-023 | SWITCH GUIDE ASSY | 1 |
| 24 | 9100-017 | MICRO SWITCH #BLS152-#6P689 | 1 |
| 23 | 8001-126 | MICRO SWITCH PLATE | 1 |
| 22 | 8001-173 | SWITCH ARM | 1 |
| 21 | 9003-089 | 1/4-20 X .50 SET SCREW | 6 |
| 20 | 9007-065 | 3/8 DIA. X 1-1/4 LG DOWEL | 1 |
| 19 | 9003-091 | 1/4-20 X .75 SET SCREW | 1 |
| 18 | 8001-148 | SPOOL WEDGE | 1 |
| 17 | 9008-122 | HARD WASHER | 1 |
| 16 | 9010-024 | T-HANDLE | 1 |
| 15 | 8001-020 | GUIDE ASSY | 1 |
| 14 | 8001-161 | TAPER SPOOL HUB | 1 |
| 13 | 9310-012 | 5/8" ID SHAFT BEARING | 2 |
| 12 | 8001-019 | ROLLER GUIDE ASSY | 3 |
| 11 | 8001-154 | SHAFT | 1 |
| 10 | 8001-119 | GUIDE ARM RETAINER HUB | 1 |
| 9 | 8001-021 | CABLE GUIDE ASSY | 1 |
| 8 | 9011-012 | COLLARS | 10 |
| 7 | 9007-317 | KEY 3/16 | 1 |
| 6 | 8001-150 | ARM HUB SUPPORT PLATE | 1 |
| 5 | 8001-171 | GUIDE ARM | 5 |
| 4 | 8001-153 | MOTOR & CONTROL MOUNT | 1 |
| 3 | 9100-015 | DC SPEED CONTROLLER | 1 |
| 2 | 9102-008 | WEATHER PROOF BOX | 1 |
| 1 | 9102-009 | WEATHER PROOF BOX COVER | 1 |



| | | |
|-----------------------------------|---------------|--------------------|
| TOLERANCE UNLESS OTHERWISE STATED | CAD | DRAWING / PART NO. |
| ± .0003 | DWN KPL | 8001-016 |
| ± 0.0002 | CHK | PART NAME |
| ± 0.0005 | SCALE | 24" SPOOL ASSY. |
| ± 0.0008 | DATE 10/11/02 | W/ROLLER GUIDES |
| ± 0.0008 | | CUSTOMER |

| REV | ECN | CHG BY | DATE |
|-----|-----|--------|------|
| | | | |

ROLLER & ARM POSITIONS



REF. 8001-010 COMPLETE ASSY. DWG.
REF. 8001-016 SPOOL ASSY. DWG.

| REV | ECN | CHG BY | DATE |
|-----|-----|--------|------|
| | | | |



| | | | |
|-----------------------------------|----------------|---------|--------------------|
| TOLERANCE UNLESS OTHERWISE STATED | | CAD | DRAWING / PART NO. |
| Δ ± .3 | FRACT +/- 1/16 | DWN GDH | 8001-022 |
| \perp ± 0.0003 | .X ± .032 | CHK | PART NAME |
| \oplus ± 0.0002 | .JX ± .015 | SCALE | 24" GUIDE ARMS |
| \otimes ± 0.0005 | .JXX ± .005 | DATE | W/ ROLLER GUIDES |
| \equiv ± 0.0005 | .JXXX ± .0005 | 031902 | CUSTOMER |