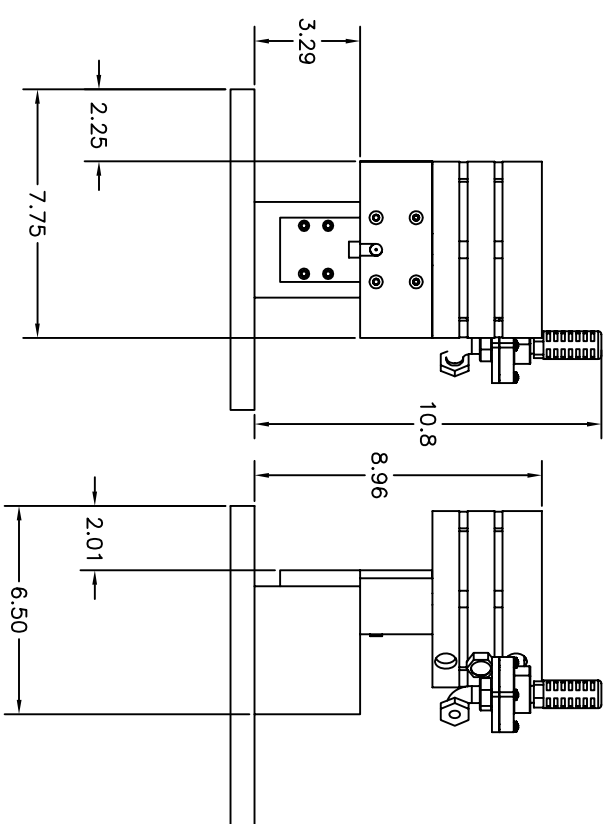
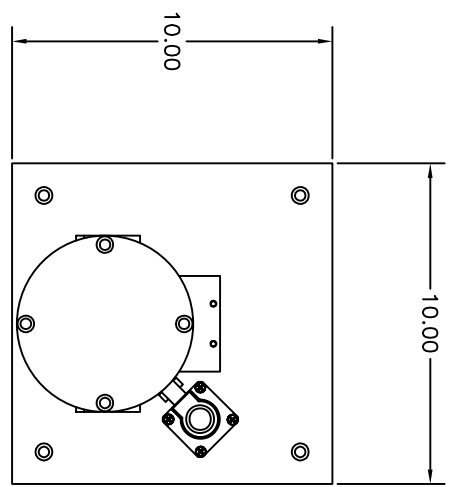
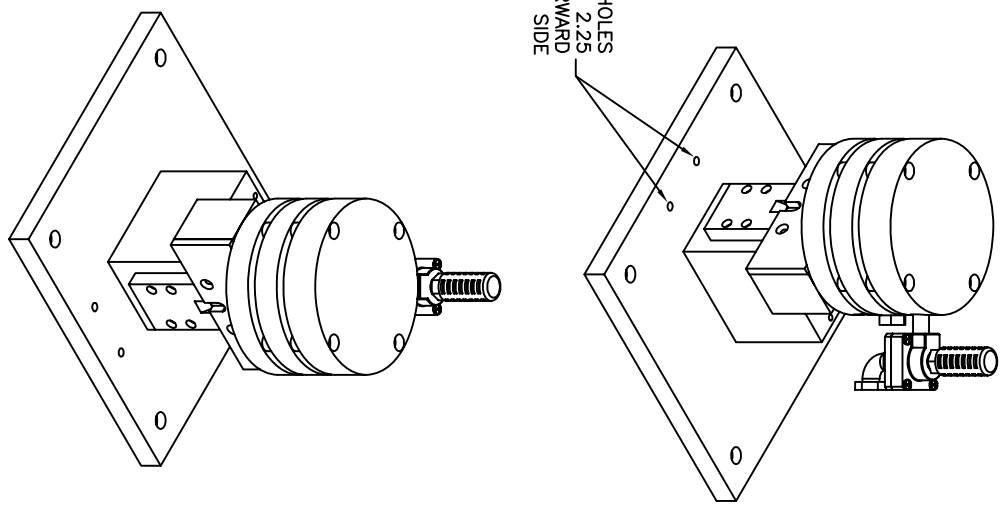



1/4" C'BORE HOLES  
FOR ADDITIONAL 2.25  
MOVEMENT TO FORWARD  
SIDE



		TOLERANCE UNLESS OTHERWISE STATED ± .0005 ± .0002 ± .0001 ± .0001		DIM 1/16 DIM .002 DIM .015 DIM .008		DATE 02/24/08		REV / ESN / CHG BY / DATE	
PART NAME STAND ALONE #3 OLD CUTTER HEAD CUSTOMER		DRAWING / PART NO. A003-1381-A DIMS		SCALE		DATE 02/24/08		REV / ESN / CHG BY / DATE	