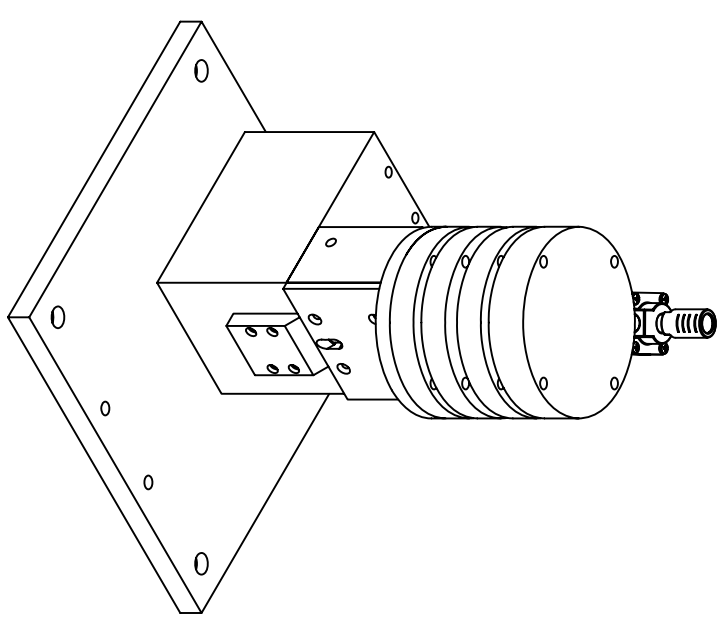
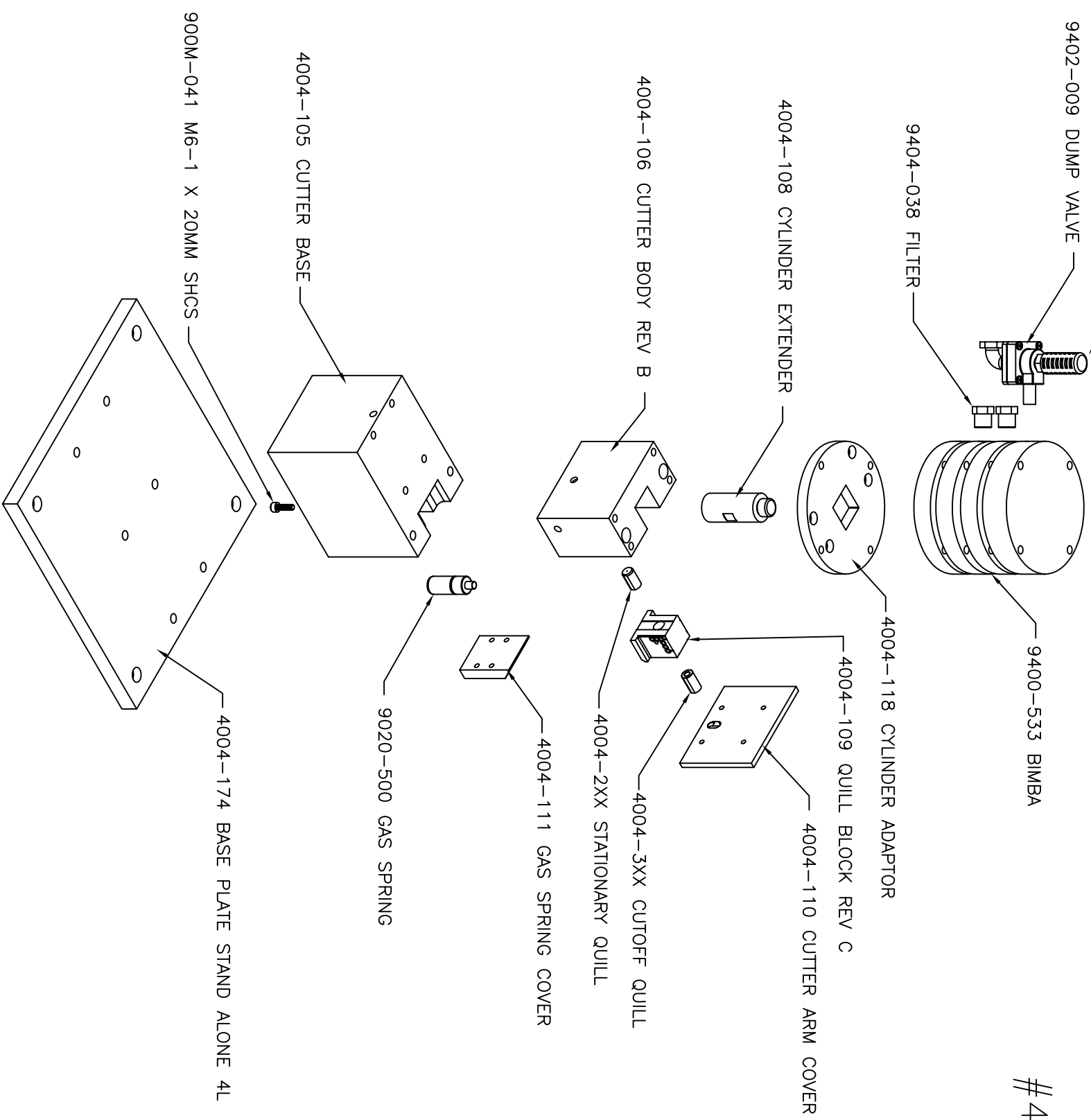


#4L QQ CUTTER HEAD (STAND ALONE ASSY.)



REV	ECN	CHG BY	DATE

TOLERANCE UNLESS OTHERWISE STATED ± .3" FRACT ± .1/16 ± 0.0003 X ± .032 ± 0.0002 XX ± .015 ± 0.0005 XXX ± .005 ± 0.0005 XXXX ± .0005		CAD DWN KPL CHK SCALE DATE 6/11/03	DRAWING / PART NO. 4004-1SAH PART NAME STAND ALONE #4L QQ CUTTER HEAD CUSTOMER
---	--	--	---

