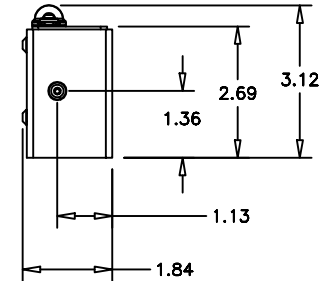
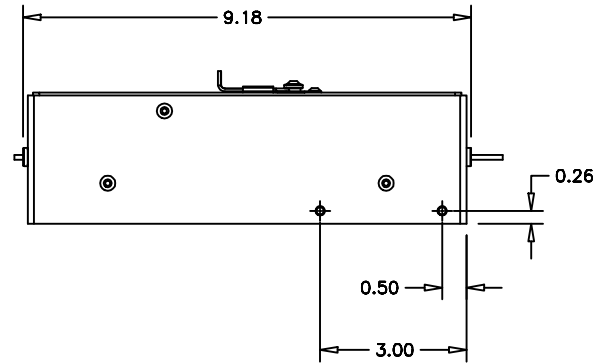
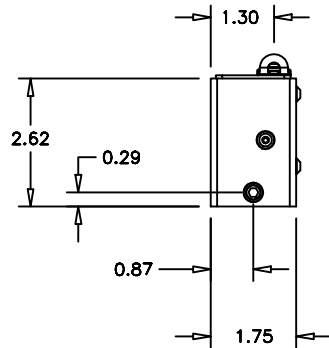
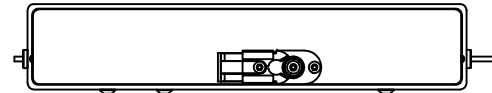
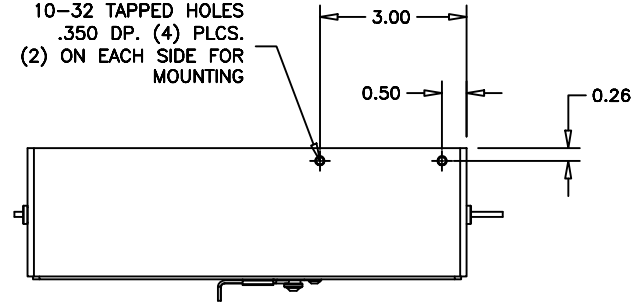


10-32 TAPPED HOLES
.350 DP. (4) PLCS.
(2) ON EACH SIDE FOR
MOUNTING



MATERIAL REQ'D.

R.C.

REV	ECN	CHG BY	DATE



TOLERANCE UNLESS OTHERWISE STATED	
Δ ± 3°	FRACT +/- 1/16
\perp ± 0.0003	.X ± .032
\odot ± 0.0002	.XX ± .015
\oplus ± 0.0005	.XXX ± .005
\equiv ± 0.0005	.XXXX ± .0005

CAD
DWN KPL
CHK
SCALE
DATE 7/5/02

DRAWING / PART NO. 7100-001A
PART NAME DIMS WIRE LUBRICATOR AND CLEANER
CUSTOMER