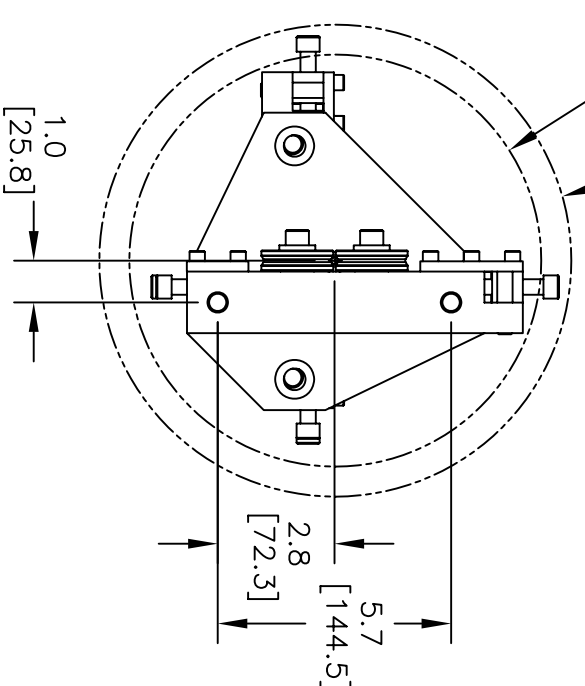


R5.8 [R146.1]  
RADIUS AROUND WIRE LINE

R5.0 [R127.5]  
RADIUS AROUND WIRE LINE

NOTE:  
ALL DIMS IN [ ] ARE IN MM



ALL DIMENSIONS ARE RELATIVE TO WIRE LINE



TOLERANCE UNLESS OTHERWISE STATED		CAD	DRAWING / PART NO.
± .3	FRACT +/- 1/16	DWN GDH	1005-002B
± 0.0003	X	CHK	#05 QR PLAIN MOUNTING
± 0.0002	XX	SCALE	CUSTOMER
± 0.0005	XXX	DATE 042304	
± 0.0005	XXXX		

REV	ECN	CHG BY	DATE