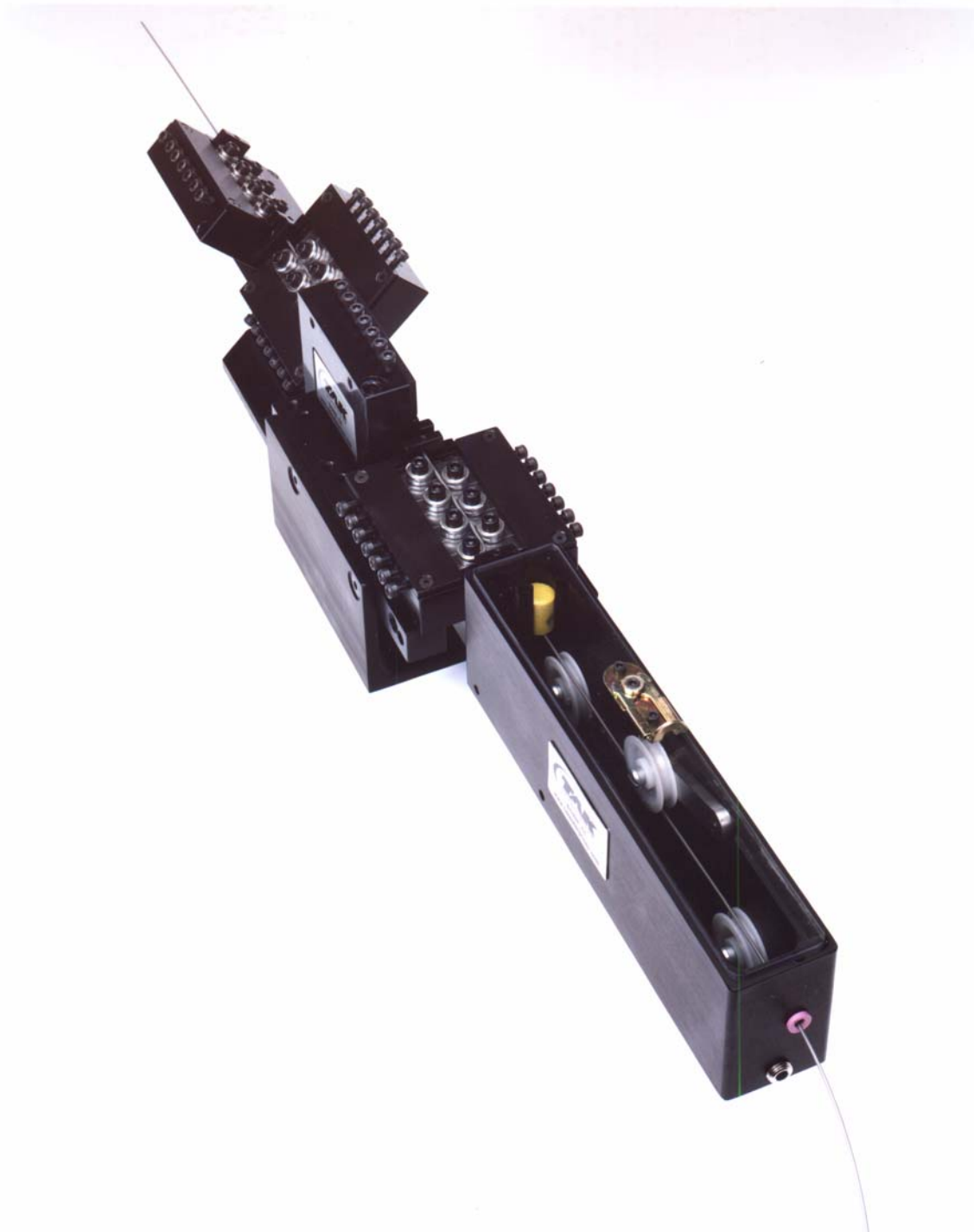




# TAK Wire Cleaner Lubricator

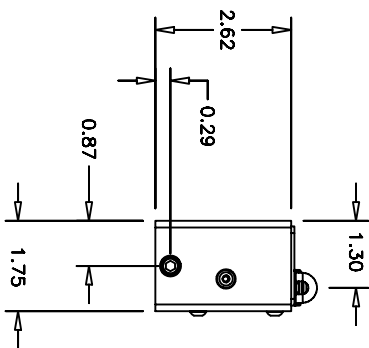
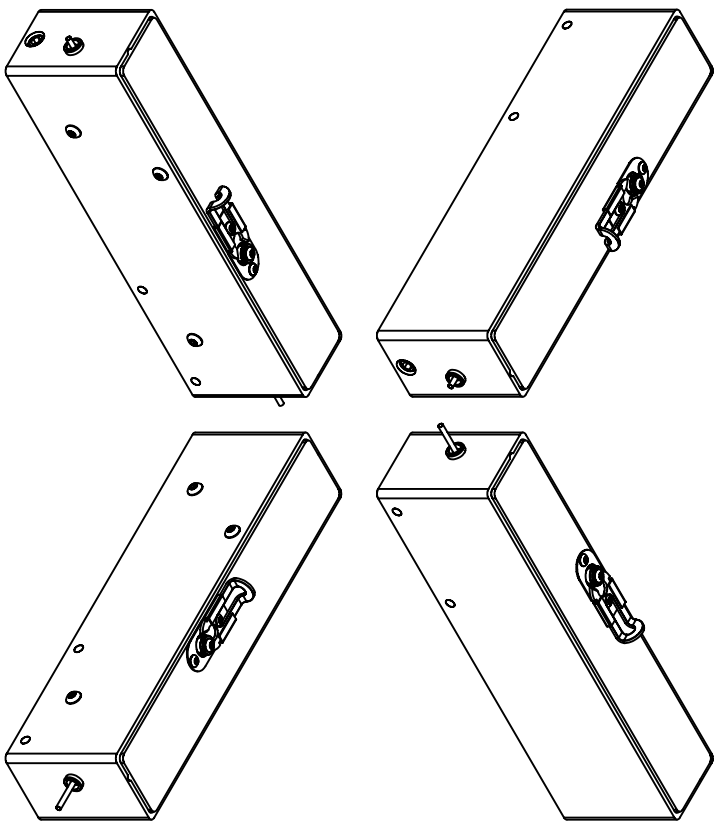


Instruction Manual for TAK #7100-001 Wire Cleaner Lubricator.  
TAK Enterprises Inc. Visit us @ [www.takenterprises.com](http://www.takenterprises.com)

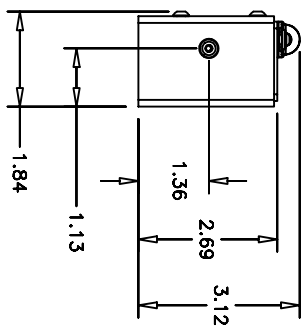
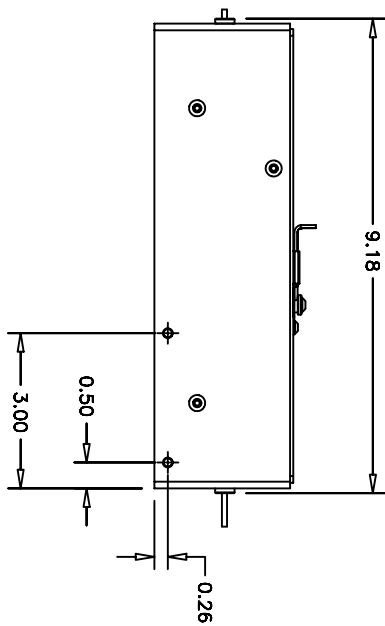
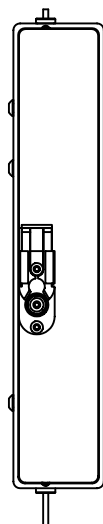
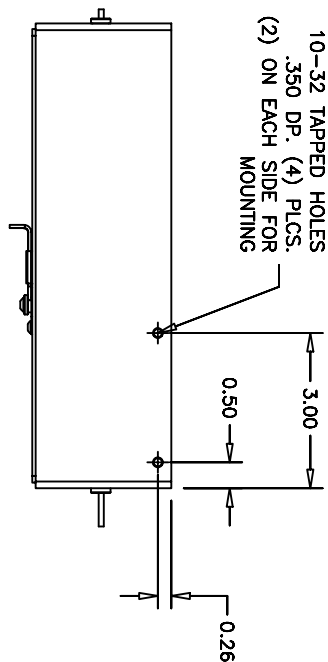


MATERIAL REQ'D.

R.C.



10-32 TAPPED HOLES  
.350 DP. (4) PLCS.  
(2) ON EACH  
SIDE FOR  
MOUNTING



TOLERANCE UNLESS  
OTHERWISE STATED

$\nabla$	$\pm .3^\circ$	FRACT +/-	1/16
$\perp$	$\pm 0.0003$	X	$\pm .032$
$\odot$	$\pm 0.0002$	.XX	$\pm .015$
$\oplus$	$\pm 0.0005$	.XXX	$\pm .005$
$\equiv$	$\pm 0.0005$	.XXXX	$\pm .0005$

CAD

DWN KPL

CHK

SCALE

DATE 7/5/02

DRAWING / PART NO.

7100-001A

PART NAME

WIRE LUBRICATOR  
AND CLEANER

CUSTOMER

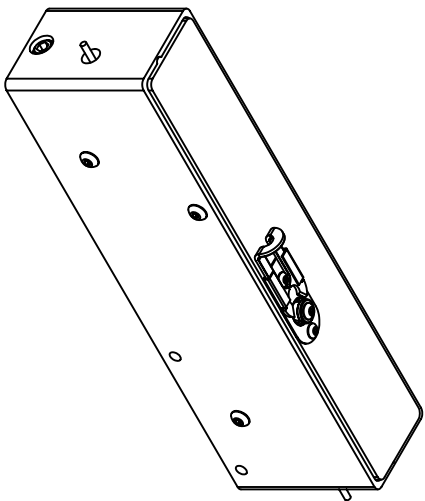
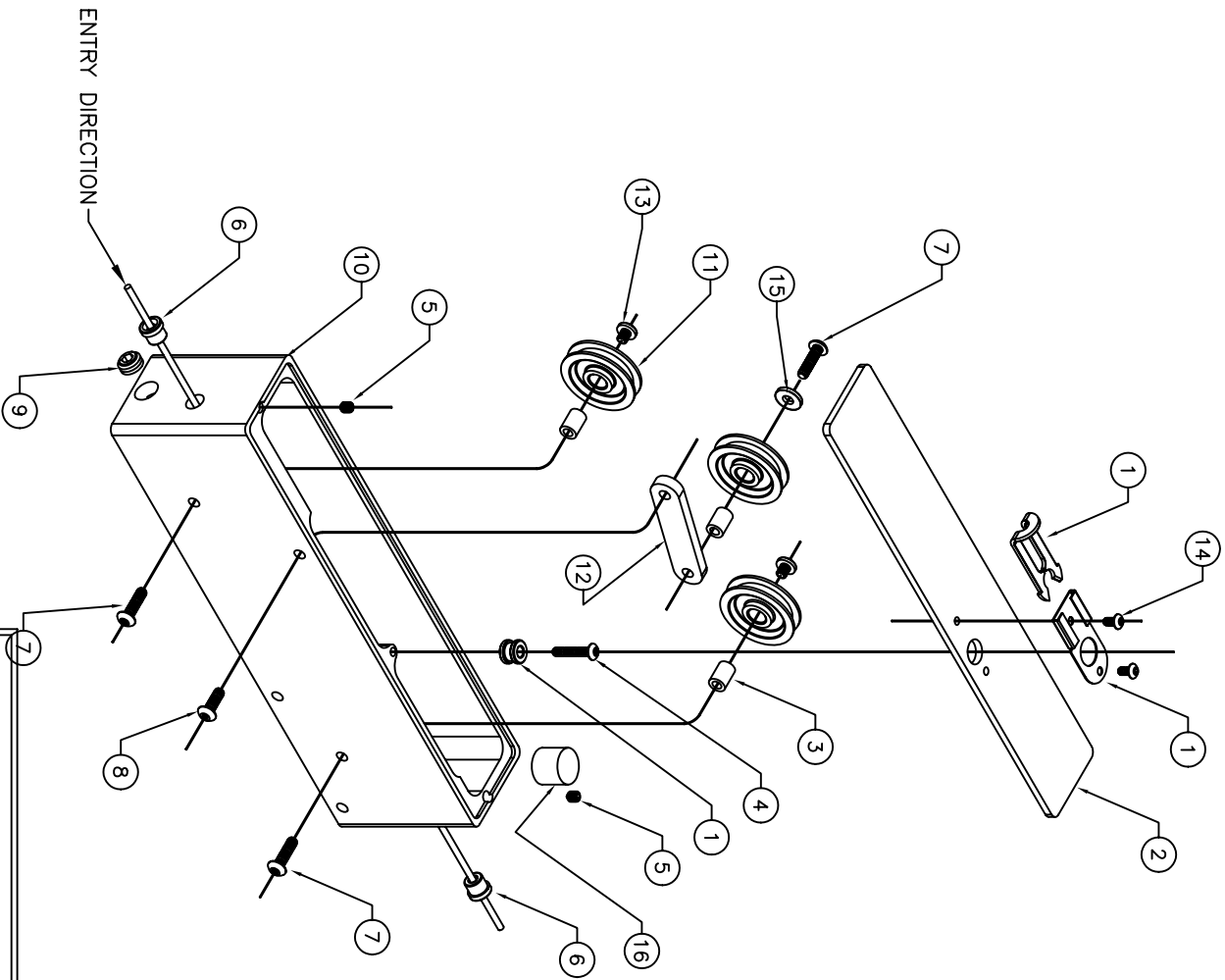
REV	ECN	CHG BY	DATE



MATERIAL REQ'D.

R.C.

No.	P/N #	Description	EA.
1	9010-035	SLIDE LATCH ASSY.	1
2	7100-129	COVER	1
3	9802-011	BUSHING	3
4	9002-035	6-32 BHCS	1
5	9003-407	NYLON SET SCREW	2
6	9800-005	CERAMIC GUIDE	2
7	9002-050	8-32 BHCS	3
8	9002-049	8-32 BHCS	1
9	9405-013	1/8 NPT BRASS PLUG	1
10	7100-125	HOUSING	1
11	9802-005	ROLLERS	3
12	7100-130	SWING ARM	1
13	9008-001	8-32 PAN HEAD	2
14	9002-025	5-40 BHCS	2
15	9008-306	8-32 WASHER	1
16	XXX	SPONGE WIPER PLUG	1



NOTE:  
USE BLUE THREAD LOCK  
ON INSIDE SCREWS TO  
INSURE TIGHTNESS.

REV	ECN	CHG BY	DATE

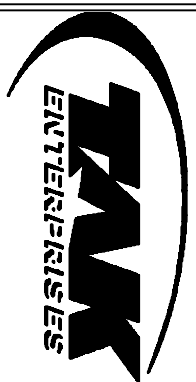
TOLERANCE UNLESS  
OTHERWISE STATED

Symbol	FRAC	Tolerance
$\pm 3^\circ$	+	$\pm 1/16$
$\pm 0.0003$	X	$\pm .032$
$\pm 0.0002$	.XX	$\pm .015$
$\pm 0.0005$	.XXX	$\pm .005$
$\pm 0.0005$	.XXXX	$\pm .0005$

CAD  
DWN KPL  
CHK  
SCALE  
DATE 7/5/02

DRAWING / PART NO.  
7100-001

PART NAME  
WIRE LUBRICATOR  
AND CLEANER  
CUSTOMER



ENTRY DIRECTION