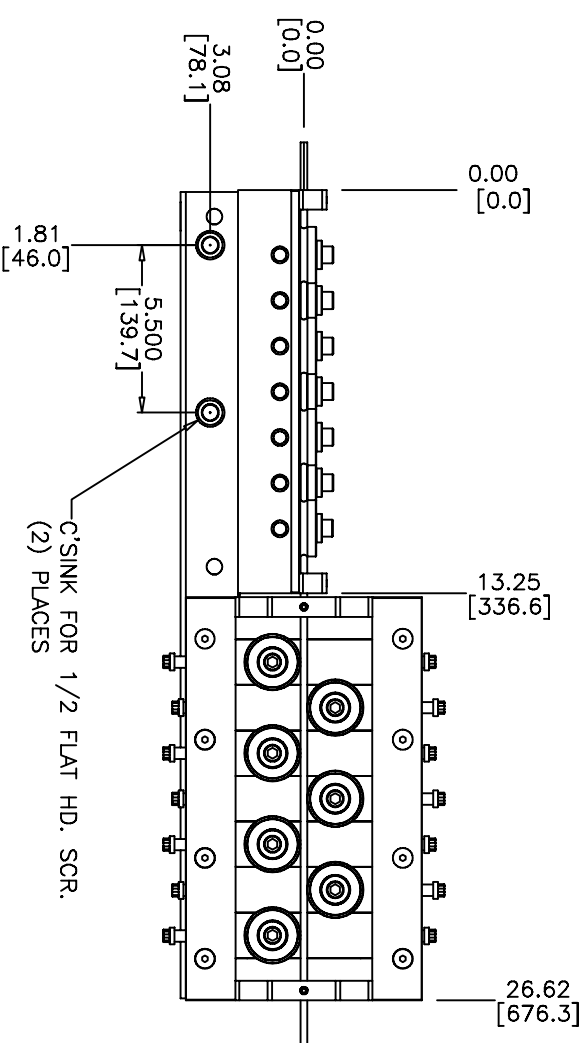
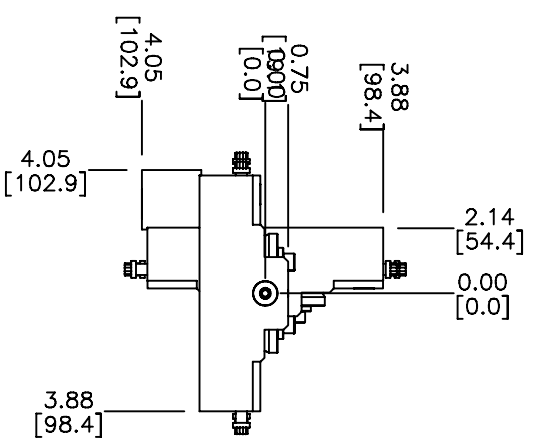
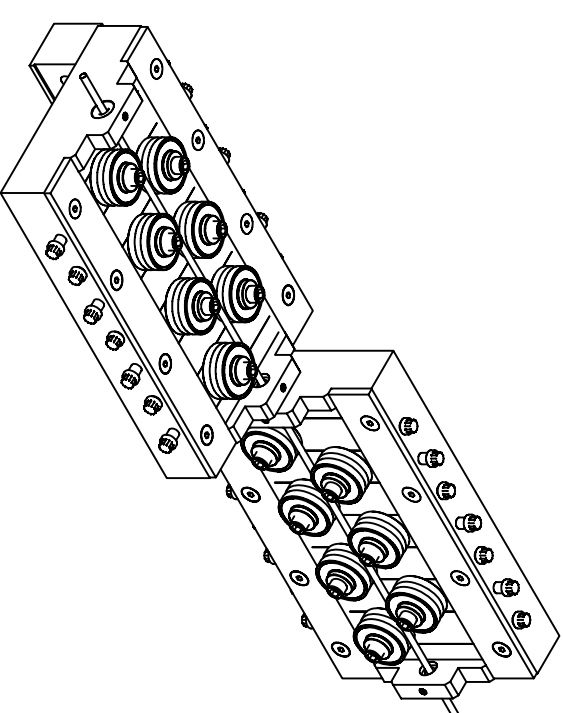
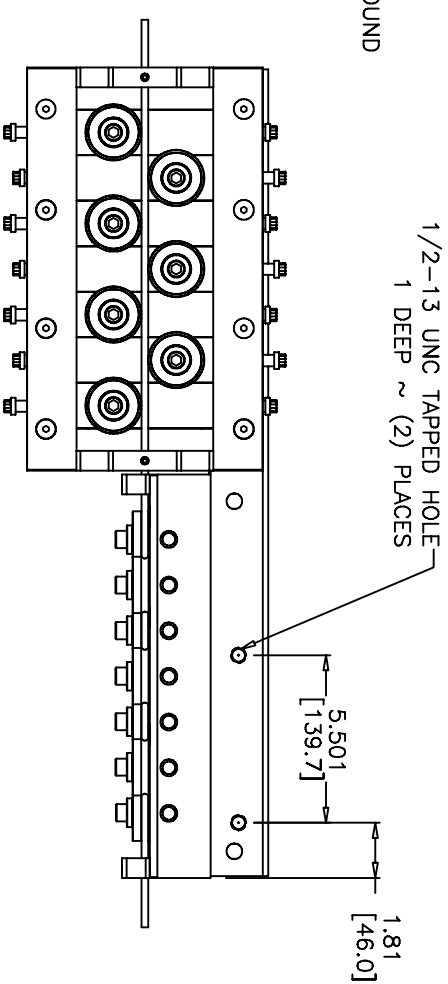
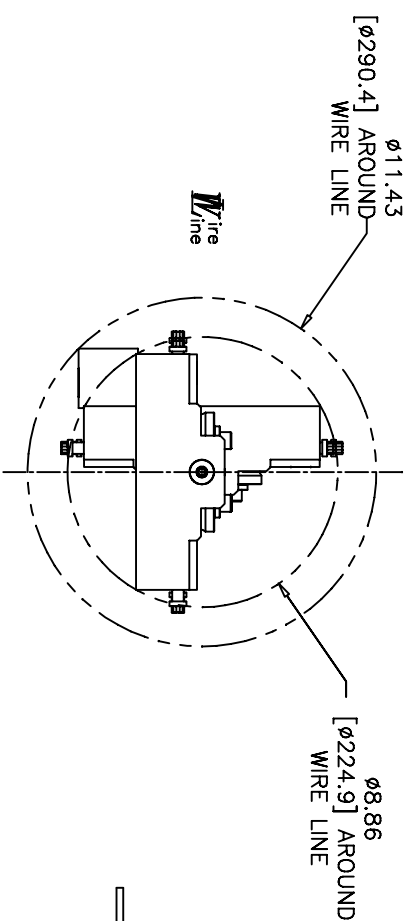
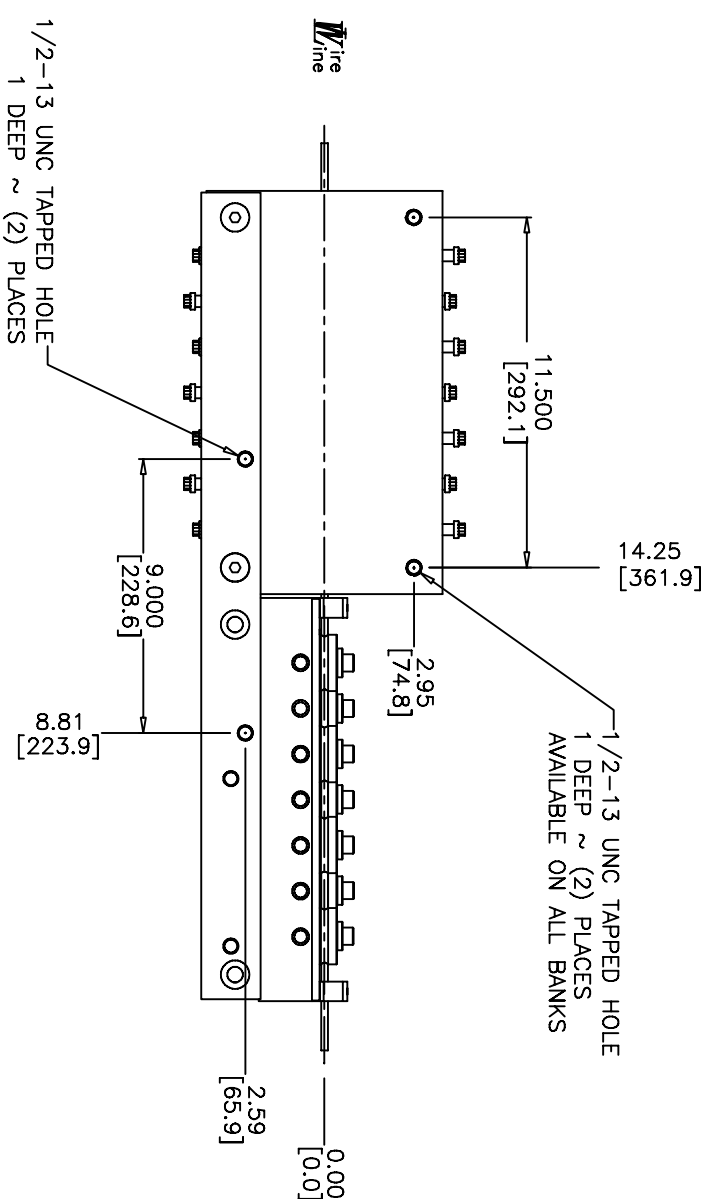


NOTE:
ALL DIMS IN [] ARE IN MM



C'SINK FOR 1/2 FLAT HD. SCR.
(2) PLACES



#05 UNIBODY 2-PLANE
MOUNTING LOCATIONS



TOLERANCE UNLESS OTHERWISE STATED	CAD	DRAWING / PART NO.
$\pm .0003$	DWN KPL	1005-012A #5
$\pm .0002$	CHK	PART NAME
$\pm .0005$	SCALE	MOUNTING
$\pm .0005$	DATE 6/26/01	CUSTOMER

REV	ECN	CHG BY	DATE