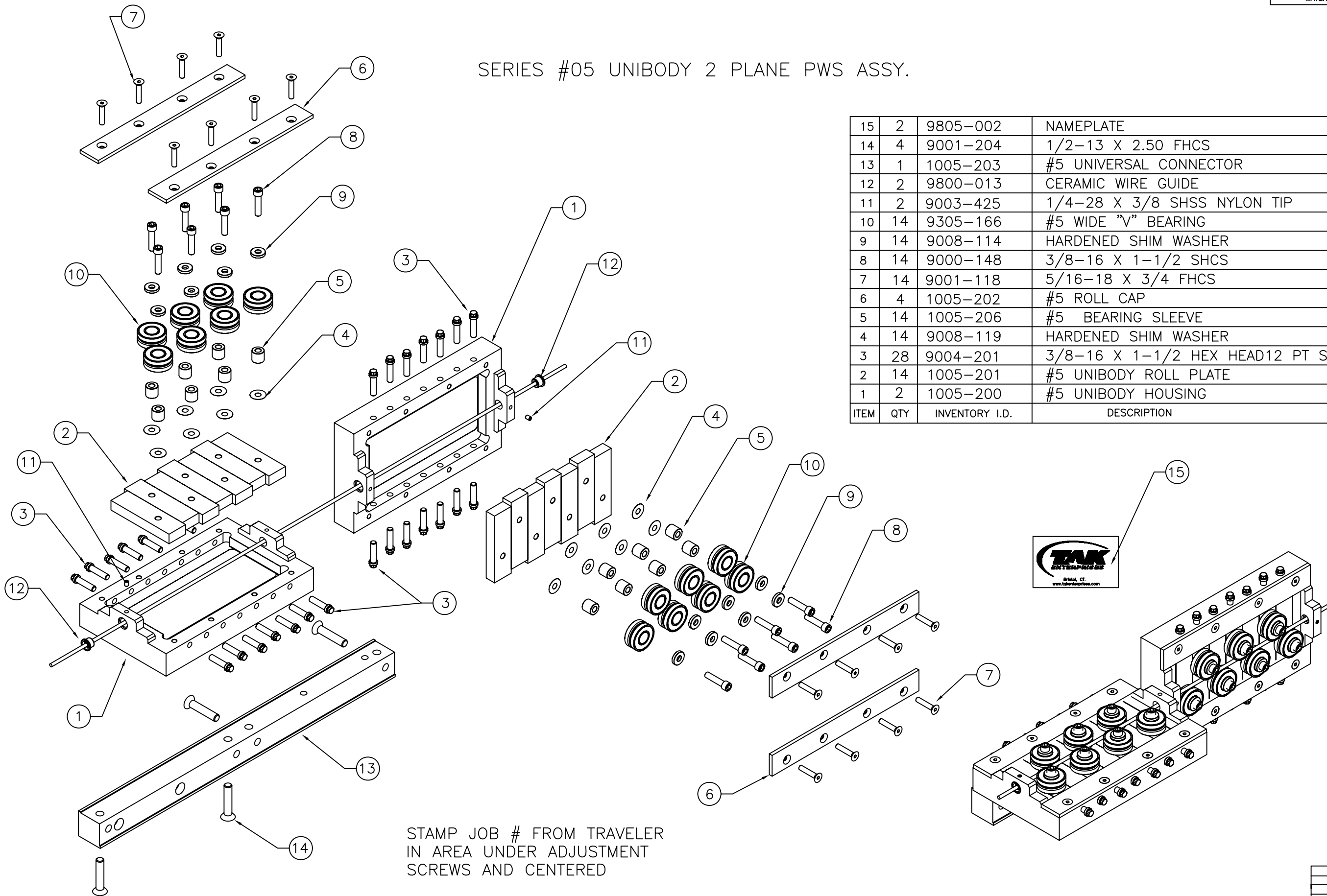


SERIES #05 UNIBODY 2 PLANE PWS ASSY.



ITEM	QTY	INVENTORY I.D.	DESCRIPTION
15	2	9805-002	NAMEPLATE
14	4	9001-204	1/2-13 X 2.50 FHCS
13	1	1005-203	#5 UNIVERSAL CONNECTOR
12	2	9800-013	CERAMIC WIRE GUIDE
11	2	9003-425	1/4-28 X 3/8 SHSS NYLON TIP
10	14	9305-166	#5 WIDE "V" BEARING
9	14	9008-114	HARDENED SHIM WASHER
8	14	9000-148	3/8-16 X 1-1/2 SHCS
7	14	9001-118	5/16-18 X 3/4 FHCS
6	4	1005-202	#5 ROLL CAP
5	14	1005-206	#5 BEARING SLEEVE
4	14	9008-119	HARDENED SHIM WASHER
3	28	9004-201	3/8-16 X 1-1/2 HEX HEAD 12 PT SCREW
2	14	1005-201	#5 UNIBODY ROLL PLATE
1	2	1005-200	#5 UNIBODY HOUSING

STAMP JOB # FROM TRAVELER  
IN AREA UNDER ADJUSTMENT  
SCREWS AND CENTERED

REV	ECN	CHG BY	DATE



TOLERANCE UNLESS OTHERWISE STATED		CAD	DRAWING / PART NO.
± 3°	FRACT +/- 1/16	DWN KPL	1005-012
± 0.0003	.X ± .032	CHK	#5 PWS ASSY.
± 0.0002	.XX ± .015	SCALE	CUSTOMER
± 0.0005	.XXX ± .005	DATE 4/2/02	EXPLODED VIEW
± 0.0005	.XXXX ± .005		