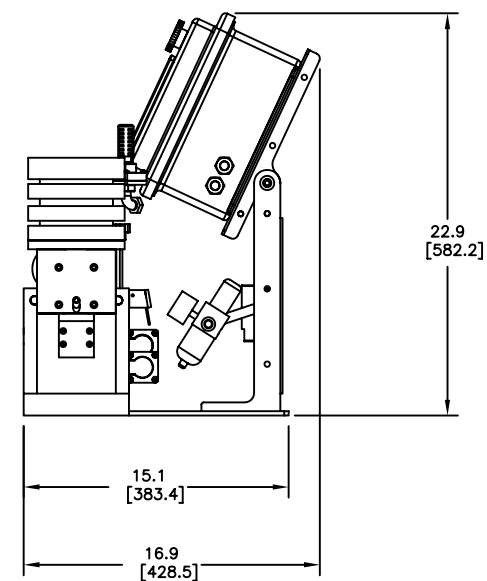
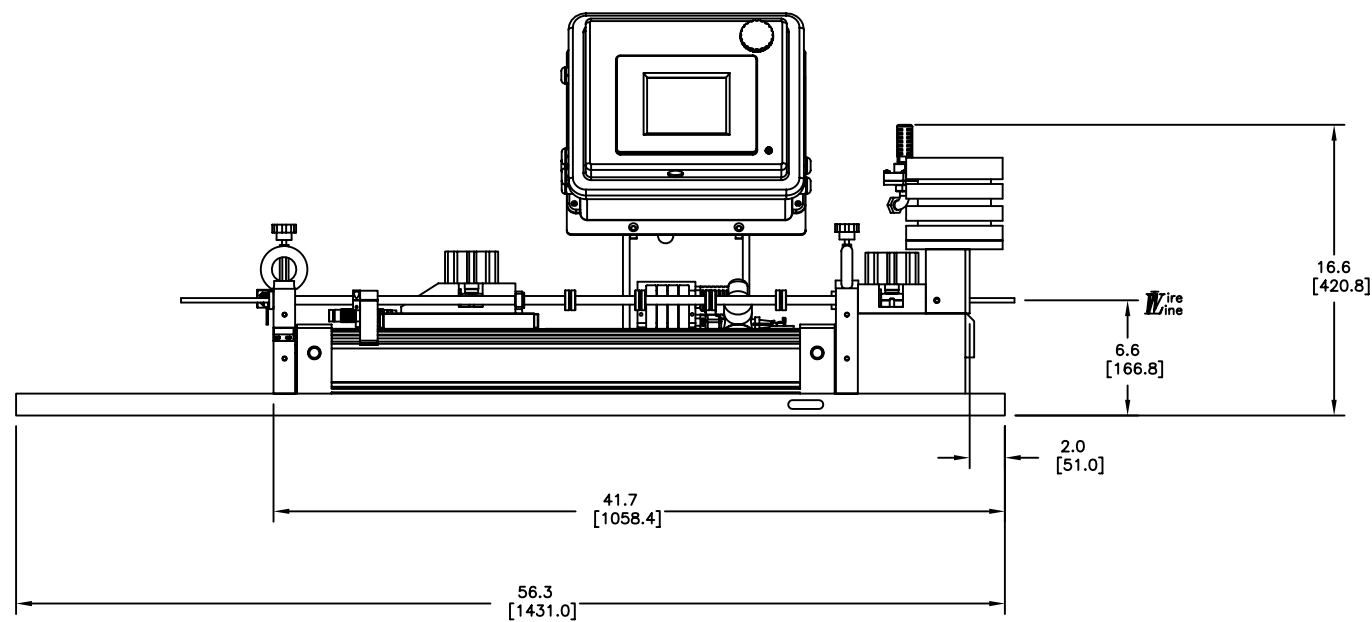
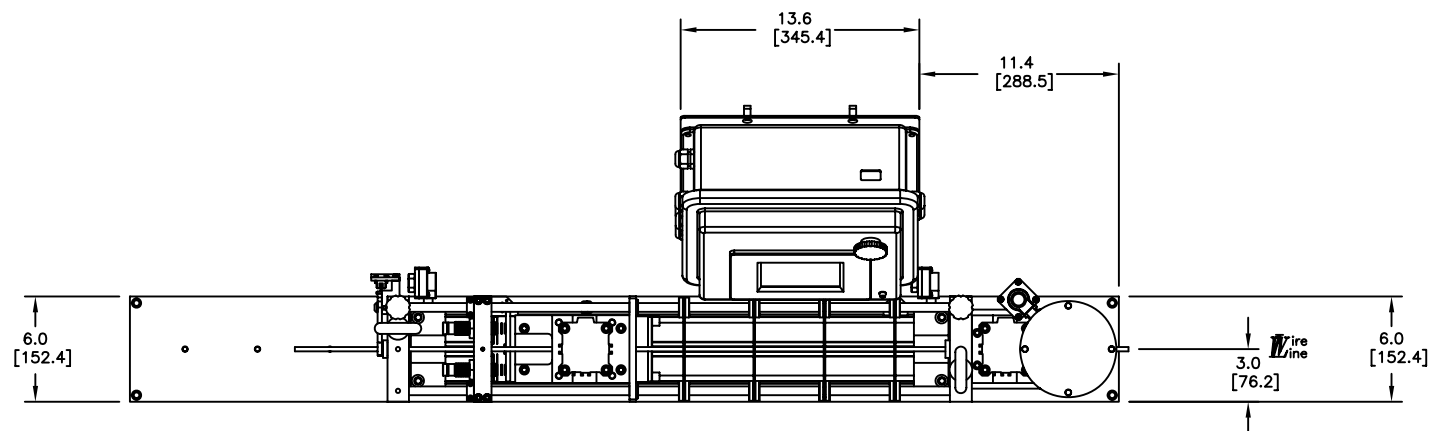
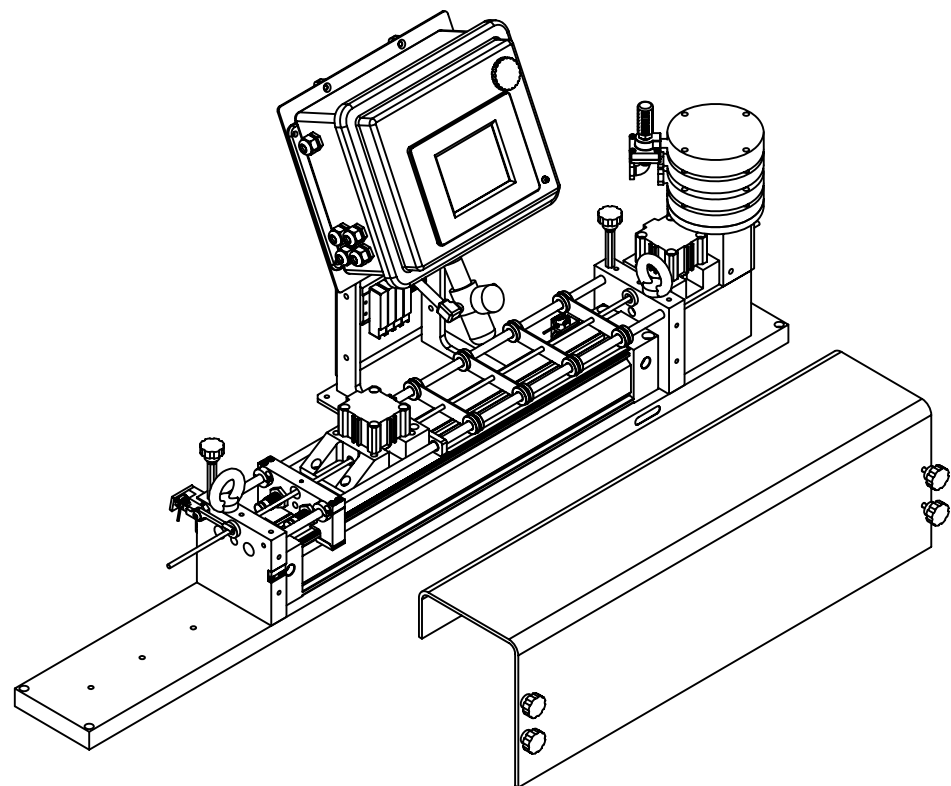
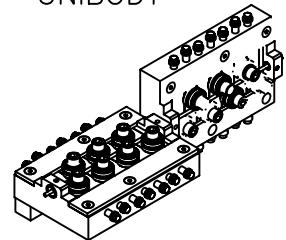
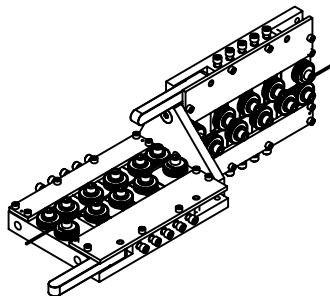


DIM'S ARE APPROXIMATE
 DIM'S IN (X.X) ARE IN MM



SERIES #04 OR #05
 QUICK RELEASE

SERIES #04 OR #05
 UNIBODY



PWS UP TO 2-PLANE ASSY

- SERIES #04 PWS / 4004-146 QR MOUNTING BRKT
- SERIES #04 PWS / 4004-158 UNIBODY MOUNTING BRKT
- SERIES #05 PWS / 4004-150 QR MOUNTING BRKT
- SERIES #05 PWS / 4004-172 UNIBODY MOUNTING BRKT

REV	ECN	CHG BY	DATE



TOLERANCE UNLESS OTHERWISE STATED		CAD	DRAWING / PART NO.
± 3"	FRACT +/- 1/16	DWN GDH	4004-022-A
± 0.0003	.X ± .032	CHK	PART NAME
± 0.0002	.XX ± .015	SCALE	SF&C #4L 12" QQ
± 0.0005	.XXX ± .005	DATE 080408	CUSTOMER
± 0.0005	.XXXX ± .0005		