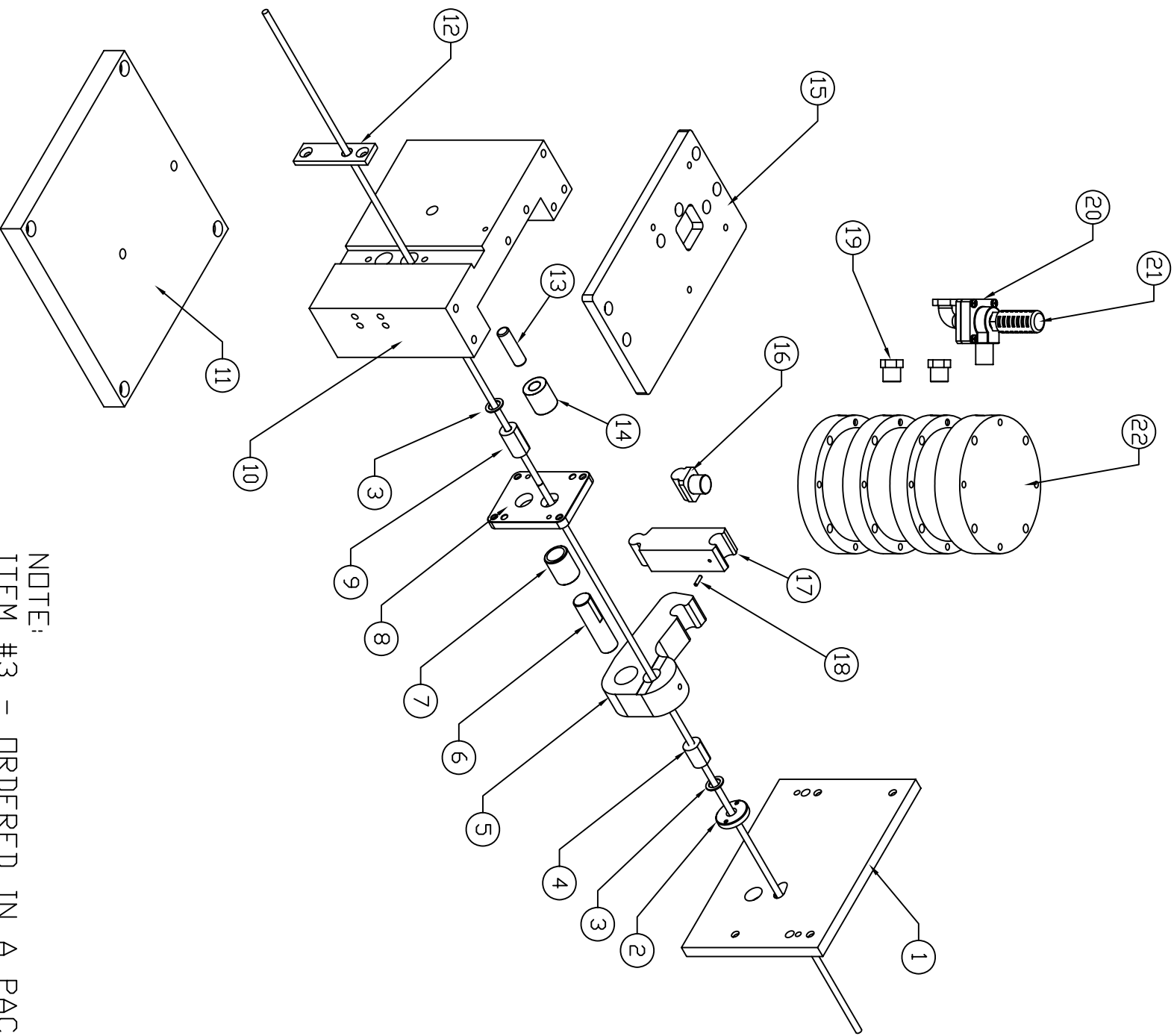
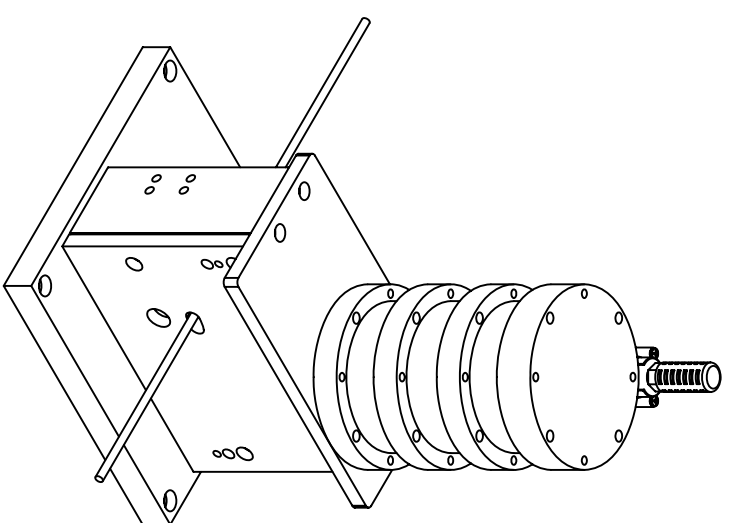


No.	PART NUMBER	DESCRIPTION	QTY
1	4004-131	CUTTER ARM COVER	1
2	4004-135	CUTTER ARM QUIL BACKER CAP	1
3	9008-002	ADJUSTMENT SHIM (AS REQ. PACKAGE)	2
4	4004-8XX	TRAVELING QULL	1
5	4004-160	CUTTER ARM	1
6	4004-137	CUTTER ARM PIVOT SHAFT	1
7	9311-006	DILITE BUSHING	1
8	4004-163	CUTTER ARM BACKER	1
9	4004-7XX	STATIONARY QULL	1
10	4004-159	CUTTER BODY	1
11	4004-155	MOUNTING BASE PLATE	1
12	4004-132	QUILL BACKER BLDCK	1
13	9007-085	Ø0.500 DWLWEL	1
14	4004-173	SLEEVE	1
15	4004-136	CYLINDER ADAPTER PLATE	1
16	4010-205	CYLINDER PIVOT	1
17	4004-134	CUTTER ARM LINK	1
18	9007-020	Ø0.125 X .50 LG DWLWEL PIN	1
19	9404-038	FILTER	2
20	9402-009	DUMP VALVE ASSY	1
21	9405-011	SILENCER	1
22	9400-531	BIMBA TRIPLE ACTING	1



NOTE:
 ITEM #3 - ORDERED IN A PACKAGE THAT
 IS ASSORTED AND SIZES TO BE DETERMINDED
 @ ASSY. FOR CORRECT SPACING.



REV	ECN	CHG BY	DATE

CAD	DRAWING / PART NO.
DVN KPL	4004-05SAH
CHK	PART NAME
SCALE	STAND ALONE
DATE 1/27/03	CUTTER HEAD
	CUSTOMER
	EXPLODED VIEW

TOLERANCE UNLESS OTHERWISE STATED	± .3"
FRACT +/- 1/16	± .0003
± .0002	X
± .0005	XX
± .005	XXX
± .0005	XXXX

